

Patents, Designs, and Trade Marks

SUPPLEMENT

TO THE

NEW ZEALAND GAZETTE

OF

THURSDAY, JULY 15, 1909.

Published by Authority.

WELLINGTON, THURSDAY, JULY 15, 1909.

CONTENTS.

	Page
Complete Specifications and Drawings open to Inspection	1841
International and Intercolonial Arrangements for the Mutual Protection of Patents and Trade Marks ..	1842
Patent Publications in New Zealand	1842
Books and Documents open to Inspection at Patent Office, Wellington	1842
Books, Documents, &c., open to Inspection at Local Patent Offices, Auckland, Christchurch, and Dunedin ..	1843
Specifications of Inventions open to Inspection	1843
Official Publications	1843
Local Patent Offices	1843
Office for Registration of Copyright	1843
Notice <i>re</i> Holiday	1843
Notice of Intention to apply for an Extension of Term of Patent	1844
Applications for Letters Patent filed	1844
Complete Specifications filed after Provisionals	1845
Complete Specifications accepted	1845
Provisional Specifications accepted	1849
Letters Patent sealed	1849
Letters Patent on which Fees have been paid	1850
Subsequent Proprietors of Letters Patent registered ..	1850
Applications for Letters Patent abandoned	1850
Applications for Letters Patent void	1851
Applications for Letters Patent lapsed	1851
Letters Patent void	1851
Notice of Request to amend Specification	1851
Design expired	1851
Applications for Trade Marks filed	1851
Applications for Registration of Trade Marks	1852
Trade Marks registered	1854
Subsequent Proprietors of Trade Marks registered	1854
Trade Mark Renewal Fee paid	1854
Applications for Trade Marks opposed	1854
Applications for Trade Marks abandoned or refused ..	1854
Trade Marks removed from the Register	1854
Quarterly List of Inventors*	1855
Quarterly List of Inventions*	1866
Quarterly List of Trade Marks Applicants*	1876
Quarterly List of Designs Applicants*	1879

Complete Specifications and Drawings open to Inspection at Auckland, Dunedin, and Christchurch.

COPIES of the complete specifications and drawings advertised in the *Gazette* will be sent for public inspection to the

LOCAL PATENT OFFICES

IN THE

SUPREME COURT BUILDINGS

in the following towns on or about the dates mentioned:—

Auckland.

Gazette No. 59, of the 15th July. 22nd July to 5th August, inclusive.

Dunedin.

Gazette No. 59, of the 15th July. 11th August to 23rd August, inclusive.

Gazette No. 55, of the 1st July. 27th July to 10th August, inclusive.

Gazette No. 51, of the 17th June. 13th July to 27th July, inclusive.

Christchurch.

Gazette No. 59, of the 15th July. 30th August to 13th September, inclusive.

Gazette No. 55, of the 1st July. 14th August to 28th August, inclusive.

Gazette No. 51, of the 17th June. 31st July to 14th August, inclusive.

Gazette No. 45, of the 4th June. 19th July to 2nd August, inclusive.

[NOTE.—The office can take no responsibility if from any cause the specifications are not so available.]

* Alphabetical lists for the preceding quarter of the year 1909 appear in *Gazette* No. 35, of the 27th April, 1909.

International and Intercolonial Arrangements for the Mutual Protection of Patents and Trade Marks.

INTERNATIONAL CONVENTION.

THE following countries now belong to the Convention:—

Australia.	Italy.
Belgium.	Japan.
Brazil.	Mexico.
Ceylon.	New Zealand.
Cuba.	Norway.
Denmark and Faroe Islands.	Portugal, with the Azores and Madeira.
Dominican Republic.	Servia.
France, with Algeria and Colonies.	Spain.
Germany.	Sweden.
Great Britain.	Switzerland.
Holland, with East Indian Colonies, Curaçoa, and Surinam.*	Tunis.
	United States of America.

* Trade marks only.

Separate arrangements have been made between Australia and New Zealand.

Particulars of the Convention and of such arrangements may be seen in the following *Gazettes*:—

Notification of adhesion of New Zealand to the Convention, with text thereof (in English), in the *Gazette* of 26th November, 1891; notification of adherence of New Zealand to the Additional Act of the Convention, with text (in English), of such Additional Act, in Patents Supplement to *Gazette* No. 101, of the 16th November, 1905; Order in Council applying section 103 of the Imperial Act to New Zealand, in *Gazette* No. 27, of the 15th May, 1890; Orders in Council containing arrangements between Australia and New Zealand, in Patent Supplements to the *Gazette* Nos. 22 of the 9th March, 1905, and 38 of the 20th April, 1905.

Patent Publications in New Zealand.

THE following publications relating to Patents for inventions, &c., are open to inspection in the Dominion:—

WELLINGTON.—PATENT OFFICE LIBRARY.

United Kingdom.

The full text of the specifications and complete drawings of inventions patented from the year 1617 up to the 8th April, 1909.

Classified illustrated abridgments of inventions from 1855 to 1906 and part of 1907.

Illustrated Official Journal, containing lists of recent applications, abridgments of inventions for which patents have been lately granted, patents void, &c., to June, 1909.

Index of Applicants.

Subject-matter Index.

Commissioner of Patents Journal, &c. (*).

Trade Marks Journal to March, 1909.

Canada.

Patent Office Record (containing illustrated abridgments of inventions, &c.) to January, 1909.

Australia.

The full text of the specifications and complete drawings in respect of applications accepted from the 11th January, 1906, to the 13th October, 1908, inclusive.

The Official Journal of Patents of the Australian Commonwealth (containing lists of applications for letters patent, abridgments of complete specifications accepted, &c.).

The Australian Official Journal of Trade Marks (containing lists of applications for registration of trade marks, &c.).

Specifications, drawings, abridgments, and indexes of Victoria, New South Wales, Queensland, and South Australia^(b).

United States.

The full text of the specifications and drawings for the years 1905 and 1906.

The Official Gazette of the United States Patent Office (containing illustrated abridgments of specifications, &c.) to May, 1909.

Mexico.

The Official Gazette of the Patent and Trade Mark Office.

(*) Discontinued.

(b) In arrears. Not now being printed.

General.

La Propriété Industrielle (the official organ of the International Bureau of the Union for the Protection of Industrial Property).

Patent laws of the world.

Patent and Trade Mark Review.

Text-books and handbooks on patents and trade marks.

AUCKLAND.—PUBLIC LIBRARY.

United Kingdom.

Classified abridgments of inventions from 1855 to 1904.

Illustrated Official Journal from 1897 to date.

Canada.

Patent Office Record (containing illustrated abridgments of inventions, &c.) from 1897 to date.

Australia.

The Official Journal of Patents from 1905 to date.

United States.

The Official Gazette of the United States Patent Office (containing illustrated abridgments of specifications, &c.) from 1885 to 1887 and 1890 to 1895.

CHRISTCHURCH.—PUBLIC LIBRARY.

United Kingdom.

Classified abridgments of inventions from 1855 to 1904.

Illustrated Official Journal from October, 1905, to date.

Canada.

Patent Office Record (containing illustrated abridgments of inventions, &c.) from 1897 to date.

Australia.

The Official Journal of Patents from 1905 to date.

DUNEDIN.—PUBLIC LIBRARY.

United Kingdom.

Classified abridgments of inventions from 1855 to 1904.

Illustrated Official Journal from October, 1905, to date.

Australia.

The Official Journal of Patents from 1905 to date.

Books and Documents open to Inspection at Patent Office, Wellington.

THE following documents and books are open to public inspection at the Patent Office:—

PATENTS.

(Fee for each search or inspection, not exceeding one hour, 1s.)

1. The files relating to all applications for letters patent in respect of which complete specifications have been accepted.
2. Classified copies of specifications and drawings, with index and key^(a).
3. Register of Applications for Letters Patent.
4. Register of Patents.
5. Register of Subsequent Proprietors of Letters Patent^(b).
6. Index of Patentees^(c).
7. Index of Proprietors of Letters Patent granted prior to 1890^(d).
8. Index of Specifications^(e).

DESIGNS.

(Search fee, 1s. each quarter of an hour.)

1. Register of Designs, with Index of Names of Proprietors.
2. Classified Representations of Designs in respect of which Copyright has expired.
3. Index of Designs.

(a) Key is in card index.

(b) This Register contains only names of subsequent proprietors of letters patent granted prior to 1st January, 1890; since that date they appear in Register of Patents.

(c) Includes all names of applicants, &c., and consists of four volumes to 4th November, 1908, and card index since that date. A separate card index is kept for current quarter.

(d) The names of proprietors of subsequent letters patent appear in the Index of Patentees.

(e) Contains classified abridgments of specifications from 1861, with extracts from drawings from July, 1904.

TRADE MARKS.

(Search fee, 1s. each quarter of an hour.)

1. The files relating to all applications for registration of trade marks.
2. Register of Applications for Registration of Trade Marks.
3. Register of Trade Marks.
4. Index of Applicants for Registration of Trade Marks^(a).
5. Index of Trade Marks.
6. Classified Representations of Trade Marks, with indexes.

MISCELLANEOUS.

Register of Patent Agents.

FORMS AND PUBLICATIONS.

The following forms, &c., may be had on application at the Patent Office, Wellington, or at any of the local Patent Offices named below:—

- Application for letters patent.
- Provisional specification.
- Complete specification and copy thereof.
- Application for registration of design.
- Application for registration of trade mark.
- Applications for extension of time.
- Requests by subsequent proprietor to enter name on Register of Patents and Trade Marks.
- Printed sheets of information as to fees and procedure to obtain letters patent and to register a trade mark^(b).
- Pamphlet containing Act and Regulations (price 1s.).

^(a) Names of applicants for registration and proprietors of trade marks are indexed at the beginning of the Registers up to 31st December, 1889; in separate volume up to 5th September, 1904; and since the latter date in card index.

^(b) May also be obtained at any local Patent Office or money-order office.

Books, Documents, &c., open to Inspection at Local Patent Offices, Auckland, Christchurch, and Dunedin.

BOOKS, documents, &c., open to inspection, and forms, &c., procurable, at the local Patent Offices at Auckland, Christchurch, and Dunedin.

BOOKS, ETC., OPEN TO INSPECTION.

Complete specifications and drawings of inventions. (Note.—One set of the specifications and drawings is sent, on acceptance, to Auckland, Christchurch, and Dunedin in succession, remaining fourteen days at each place, as advertised in the *Gazette*. Search fee, 1s. per hour.)

Classified abridgments of inventions from 1st January, 1908, to 31st March, 1909. (Search fee, 1s.)

Weekly lists of applications for patents up to and including those filed on Friday may be seen on the following Monday. (Search fee, 1s.)

Name Index—Patents, 1861–1889. (Search fee, 1s.)

Annual Reports, containing alphabetical lists of applicants and subject-matter indexes since 1890.

Patents Supplement to the *New Zealand Gazette*.

Patents, Designs, and Trade Marks Act and Rules.

Acts and Rules of other countries.

Australian Official Journal of Patents.

FORMS, ETC., OBTAINABLE.

The following forms, &c., may be obtained on application:—

- Applications for letters patent.
- Provisional specification.
- Complete specification, and copy thereof.
- Application for registration of design.
- Application for registration of trade mark.
- Applications for extension of time.
- Requests by subsequent proprietor to enter name on Register of Patents and Trade Marks.
- Printed sheets of information as to fees and procedure to obtain letters patent and to register designs and trade marks. Act and Regulations. (Price, 1s. 6d.)

NOTE.—The classified abridgments of the specifications and drawings of the United Kingdom may be seen in the Public Library of each of the above three principal towns. Other publications will be placed on file as soon as they are available.

Specifications of Inventions Open to Inspection.

COMPLETE specifications and drawings of inventions are sent on acceptance to Auckland, Christchurch, and Dunedin, and are available for inspection for a fortnight at the local Patent Office at each place.

Lists giving names of applicants and titles of inventions, and showing the time during which the documents are open to inspection, may be obtained for posting in factories, libraries, technical schools, or other places where they are likely to be seen by persons interested, on application to the Registrar of Patents, Wellington.

Official Publications.

THE following publications may be obtained from the Government Printer, Wellington:—

Printed specifications to the end of the year 1879. (Some of these are now out of print.)

Annual lists of letters patent and letters of registration applied for, and particulars of applications lapsed, and patents lapsed, from 1880 to 1893 inclusive. (The lists for the last four of these years are contained in the *Annual Reports of the Registrar*.)

Annual reports of the Registrar, containing alphabetical indexes of applicants for letters patent and of subject-matter of inventions patented from 1894 to 1907 inclusive.

The Patents Supplement to *Gazette* (containing notifications, applications for letters patent, abridged descriptions and drawings of inventions, &c.), published fortnightly.

Name Index of Patents, &c., 1861–1890. (Price, 1s.)

Local Patent Offices.

LOCAL Patent Offices for the reception of applications, supply of forms, &c., have been established at the following places:—

- Auckland—Supreme Court. (E. W. Cave, agent.)
- Whangarei—Courthouse. (W. J. Reeve, agent.)
- Thames—Courthouse. (J. Jordan, agent.)
- Waihi—Courthouse. (J. McIndoe, agent.)
- Hamilton—Courthouse. (H. J. Dixon, agent.)
- Gisborne—Courthouse. (G. J. A. Johnstone, agent.)
- New Plymouth—Courthouse. (J. Terry, agent.)
- Napier—Courthouse. (A. Trimble, agent.)
- Wanganui—Courthouse. (C. A. Barton, agent.)
- Taihape—Courthouse. (W. Baker, agent.)
- Palmerston North—Courthouse. (C. J. Hewlett, agent.)
- Masterton—Courthouse. (M. Foley, agent.)
- Nelson—Courthouse. (E. C. Kelling, agent.)
- Blenheim—Courthouse. (F. W. Hart, agent.)
- Westport—Courthouse. (O. E. Bowling, agent.)
- Greymouth—Courthouse. (B. Harper, agent.)
- Hokitika—Courthouse. (J. N. Nalder, agent.)
- Christchurch—Supreme Court. (W. W. Samson, agent.)
- Ashburton—Courthouse. (J. Fitzgerald, agent.)
- Timaru—Courthouse. (T. W. Tayler, agent.)
- Oamaru—Courthouse. (A. A. Mair, agent.)
- Dunedin—Supreme Court. (T. E. Roberts, agent.)
- Clyde—Courthouse. (F. T. D. Jeffery, agent.)
- Gore—Courthouse. (G. H. Lang, agent.)
- Queenstown—Courthouse. (A. J. Thompson, agent.)
- Invercargill—Courthouse. (J. R. Colyer, agent.)

Office for Registration of Copyright.

THE office for the registration of proprietorship of copyright in Fine Arts and Dramatic Works has been transferred to the Patent Office, Magistrate's Court Building, corner of Lambton Quay and Ballance Street, Wellington.

Holiday.—Arbor Day.

Office of the Minister of Internal Affairs, Wellington. 31st May, 1909.

WEDNESDAY, the 21st day of July next, will be observed as a public holiday in the Government offices throughout the Dominion for the celebration of Arbor Day.

In order that the movement may be made as successful as possible, the Government hopes that the Mayors of various municipalities and Chairmen of local bodies will place the matter prominently before the people of the Dominion, and do all they can to encourage the planting of public reserves and other available lands, both public and private, with trees suited to the locality.

D. BUDDO,
Minister of Internal Affairs.

"THE PATENTS, DESIGNS, AND TRADE-MARKS ACT, 1908."

NOTICE OF INTENTION TO APPLY FOR AN EXTENSION OF TERM OF PATENT.

TAKE notice that, in pursuance of section 29 of the above Act, we, the undersigned patentees, FRANK WILLIAM PETRE, of Dunedin, Architect, and ALEXANDER ARTHUR SCULLY, of Christchurch, Police Constable, intend to present, and will forthwith so present, a petition to His Excellency the Governor, praying for the extension for a further term of fourteen years of Letters Patent No. 8217, dated 23rd January, 1896, for an invention for an automatic instructor, a machine to be used for the purpose of registering instructions to be given to the driver or any other person on a locomotive, railway-train, or other wheeled vehicle, and automatically deliver same when necessary; also to indicate at any time the exact position of the locomotive, train, or wheeled vehicle.

Dated this 23rd day of June, 1909.

FRANK WILLIAM PETRE,
ALEXANDER ARTHUR SCULLY,
Patentees.

By their Solicitors and Agents —
FRASER AND MACASSEY, Dunedin.

Applications for Letters Patent filed.

LIST of applications for Letters Patent filed. (Where a complete specification accompanies an application an asterisk is affixed; in all other cases a provisional specification has been lodged. In all cases where the applicant is not the inventor the name of the latter appears in italics after the title. † Denotes an application under the International and Intercolonial Arrangements.)

- No. 26135.—24th June.—H. P. Rasmussen, Dunedin, N.Z.
Insulating composition.
- No. 26136.—24th June.—D. Kay, Mataura, N.Z.
Bag-holder for chaff-cutter.
- No. 26137.—24th June.—A. J. Bond, Auckland, N.Z.
Barrow-wheel.
- No. 26138.—28th June.—W. E. Cook and A. Teal, Carterton, N.Z.
Fire-grate.
- No. 26139.—28th June.—C. W. Clayton, Wanganui, N.Z.
Rubber heel.
- No. 26140.—25th June.—J. V. Coleman, San Francisco, U.S.A.
Separating minerals, &c., from water.
- No. 26141.—25th June.—H. Henderson, Owaka, N.Z.
Animal-cover.
- No. 26142.—28th June.—J. Trapski, Wyndham, N.Z.
Gear for plough.
- No. 26143.—28th June.—L. J. Norton-Taylor, Wellington, N.Z.
Tram-car-destination indicator.
- No. 26144.—25th June.—W. Keymer and F. Parson, Auckland, N.Z.
Gas-oven boiler.
- No. 26145.—22nd June.—T. Kidd, Invercargill, N.Z.
Vacuum pulsator.
- No. 26146.—29th June.—T. Parker, Hampstead, Eng.
Distillation of coal.*
- No. 26147.—26th June.—A. R. Douglas, Christchurch, N.Z.
Dust and draught excluder.*
- No. 26148.—7th July, 1908.†—H. J. Thomson, Lincoln, Eng.
Portable hammock, &c.*
- No. 26149.—29th June.—H. S. Hele-Shaw, London, Eng.
Variable-stroke fluid-machine.*
- No. 26150.—29th June.—A. E. W. Day, St. Albans, Eng., and Vyse, Sons, and Co., Limited, London, Eng.
Hat.*
- No. 26151.—29th June.—E. A. McKinlay, Eltham, N.Z.
Cow-bail.
- No. 26152.—29th June.—L. Marks, New Plymouth, N.Z.
Appliance for drafting trousers.
- No. 26153.—29th June.—W. B. Thorpe, London, Eng.
Electricity-meter.*
- No. 26154.—29th June.—J. S. L. Ryan, Wellington, N.Z.
Cure for phthisis.
- No. 26155.—29th June.—O. Bredehorst, Wellington, N.Z.
Spring-cart.*
- No. 26156.—30th June.—E. F. Jones and A. G. Fell, Wellington, N.Z.
Trolley pole.
- No. 26157.—30th June.—E. and W. Berg, Queen Charlotte Sound, N.Z.
Beer-register.
- No. 26158.—30th June.—A. Parker, S. Salek, and J. E. Frost, Wellington, N.Z.
Counter invoice.
- No. 26159.—14th April.—A. and A. L. Smith, Christchurch, N.Z.
Fire-alarm.*
- No. 26160.—29th June.—E. Norden, Christchurch, N.Z.
Soap-saver.
- No. 26161.—29th June.—H. F. Chaffey, Christchurch, N.Z.
Kettle.*
- No. 26162.—30th June.—S. J. Hartley and A. Smith, Himatangi, N.Z.
Horse-coupler.*
- No. 26163.—30th June.—A. H. J. Parker, Christchurch, N.Z.
Suspending and operating window-sashes.
- No. 26164.—30th June.—J. H. Spekleton, Perth, W. Aust.
Bond for briquettes.*
- No. 26165.—30th June.—P. T. White and G. Robertson, Perth, W. Aust.
Tilting-appliance for kerosene-tins, &c.*
- No. 26166.—25th July, 1908.†—L. Lumière, Lyons, France.
Acoustical instrument.*
- No. 26167.—30th June.—T. Bracken, Masterton, N.Z.
Table.
- No. 26168.—28th June.—A. A. Pinches, Wanganui, N.Z.
Sand-soap.
- No. 26169.—30th June.—A. Falkner, Kaiparoro, N.Z.
Lifting-jack.*
- No. 26170.—28th June.—R. McGaffin, Hastings, N.Z.
Grinding bars of flax-stripper drum.*
- No. 26171.—30th June.—H. R. R. Lohmann, Melbourne, Vic.
Air-motor.
- No. 26172.—29th June.—T. A. Glendinning and G. A. Coles, Auckland, N.Z.
Utilising waste animal substances.
- No. 26173.—29th June.—T. A. Glendinning and G. A. Coles, Auckland, N.Z.
Utilising waste leather.
- No. 26174.—29th June.—W. Duggan, jun., Dunedin, N.Z.
Closing doors and gates.
- No. 26175.—1st July, 1908.†—F. Malley and G. Brennan, Sydney, N.S.W.
Time control for liquid-outflow.*
- No. 26176.—1st July.—C. F. Siegert, Feppes, Transvaal.
Treatment of auriferous black sand.
- No. 26177.—2nd July.—H. W. Atkinson, Auckland, N.Z.
Manufacture of coal-gas.*
- No. 26178.—2nd July.—A. S. Roberts, Inglewood, N.Z.
Wire strainer.
- No. 26179.—2nd July.—H. B. Tucker, Palmerston North, N.Z.
Fish-scaling appliance.
- No. 26180.—29th June.—D. McCurdy, Anderson's Bay, N.Z.
Using motive power on land and water.
- No. 26181.—29th June.—D. McCurdy, Anderson's Bay, N.Z.
Butter-mould and vegetable-cutter.
- No. 26182.—29th June.—D. McCurdy, Anderson's Bay, N.Z.
Agricultural implement.
- No. 26183.—30th June.—W. J. Roebuck, Dunedin, N.Z.
Wire-tightener.
- No. 26184.—2nd July.—H. F. Chaffey, Christchurch, N.Z.
Projectile for small arms.
- No. 26185.—3rd July.—N. S. McNab, Caulfield, Vic.
Voting-machine.*
- No. 26186.—2nd July, M. A. Kinney, Hyde, N.Z.
Animal-trap.
- No. 26187.—5th July.—C. S. Brooker, Medbury, N.Z.
Shutting off steam from broken gauge-glass.
- No. 26188.—6th July.—O. A. Legg, Christchurch, N.Z.
Oven-door.*
- No. 26189.—6th July.—G. P. Darlow, Wellington, N.Z.
Mirror-holder.
- No. 26190.—5th July.—B. Jeffery, Palmerston North, N.Z.
Flushing-device.
- No. 26191.—7th July.—J. T. Hunter, Wellington, N.Z.
Typographical composing-machine.* (*Lino-type and Machinery, Limited—H. Pearce and J. E. Billington.*)
- No. 26192.—7th July.—A. W. Wall, Birmingham, Eng.
Motor attachment for velocipede.*
- No. 26193.—7th July.—A. Esplen, Liverpool, Eng.
Fire-bar.*
- No. 26194.—7th July.—A. James, London, Eng.
Lixiviation of ores.* (*A. Swan.*)
- No. 26195.—7th July.—C. Camm, Geelong, Vic.
Withdrawing butter from churns.
- No. 26196.—7th July.—E. O. Cartwright, Springfield, U.S.A.
Printing-process.*
- No. 26197.—7th July.—E. O. Cartwright, Springfield, U.S.A.
Printing-process.*
- No. 26198.—7th July.—W. H. Hennah and A. K. W. Rissel, Wellington, N.Z.
Ship's course indicator.*

- No. 26199.—7th July.—W. H. Hennah and A. K. W. Bissell, Wellington, N.Z.
Ship's course recorder.*
- No. 26200.—7th July.—W. J. H. Beach, Wellington, N.Z.
Attaching billiard-cue chalk to table.
- No. 26201.—7th July.—P. J. Griffin, Denniston, N.Z.
Tea-can.
- No. 26202.—5th July.—G. H. Robinson, Christchurch, N.Z.
Self-locking cabinet.*
- No. 26203.—8th July.—S. F. Gallagher, and C. P. Rendle, Collingwood, Vic.
Combining leather and rubber.* (*L. Robinson.*)
- No. 26204.—5th July.—P. Wilson and H. R. Pike, Sydney, N.S.W.
Clip and suspender for books.
- No. 26205.—6th July.—H. H. Bach, Auckland, N.Z.
Safety device for tram-car.
- No. 26206.—8th July.—W. McFarlane and J. Dyson, Geelong, Vic., and A. J. Warren, Leopold, Vic.
Ploughing, &c., implement.
- No. 26207.—3rd August, 1908.—G. W. Berry, Moonee Ponds, Vic.
Closet.*
- No. 26208.—8th July.—F. Jira, Raki Raki, Fiji.
Endless travelling table filter.
- No. 26209.—8th July.—W. T. Hail and J. E. Wheeler, Dunedin, N.Z.
Water sprayer or sprinkler.
- No. 26210.—8th July, J. F. W. Schadick, Westport, N.Z.
Pipe-joint.
- No. 26211.—7th July.—W. E. Kilroy, Dunedin, N.Z.
Coal scuttle.
- No. 26212.—6th July.—C. B. Smith, Dunedin, N.Z.
Spring clip.
- No. 26213.—9th July.—E. S. Baldwin, Wellington, N.Z.
Wire garment-stay making machine.* (*The Spirella Company—M. M. Beeman.*)
- No. 26214.—8th July.—R. E. Finch and R. S. and A. Newcomb, Auckland, N.Z.
Delivering oil or disinfectant to pan-closet.
- No. 26215.—10th July.—J. Foster, Wellington, N.Z.
Bread-toaster.

Complete Specifications filed after Provisionals.

LIST of complete specifications filed after provisional specifications, from the 26th June to the 10th July, 1909, inclusive:—

- No. 24893.—T. W. Rapley, magnetic separator.
- No. 24996.—R. J. Waters, fencing-wire fastener.
- No. 25000.—H. Winterburn, cooking oven.
- No. 25009.—T. Gager, kerosene-tin.
- No. 25011.—W. Thwaites, railway-point, &c., lock.
- No. 25013.—J. F. Bailey, electric developer.
- No. 25016.—R. B. Williams, broom.
- No. 25019.—J. Brennan, vehicle under-carriage.
- No. 25021.—W. C. Mead, cycle handle-bar.
- No. 25024.—E. A. Parker, window-fastener.
- No. 25042.—J. A. Paterson, hydrocarbon-gas producer.
- No. 25045.—G. L. Briggs, saw-fence.

Notice of Acceptance of Complete Specifications.

Patent Office,

Wellington, 14th July, 1909.

COMPLETE specifications relating to the undermentioned applications for Letters Patent have been accepted, and are open to public inspection at this office. Any person may, at any time within two months from the date of this *Gazette*, give me notice in writing of opposition to the grant of any such patent. Such notice must set forth the particular grounds of objection, and be in duplicate. A fee of 10s. is payable thereon.

No. 24579.—29th June, 1908.—JAMES SHEPHERD and ALBERT CEDERMAN, both of Hokitika, New Zealand Engineers. Improvements in driving-gear of locomotive engines.*

Claims.—(1.) In a locomotive of the kind described, the employment of a shaft rotated by the engine and extending from one bogie to the other, gearing communicating the motion of the shaft to the axles of the bogie, and ball or universal joints in the shaft to allow the bogies to swivel, substantially as set forth. (2.) The combination and arrangements of parts comprising the improvements in driving-gear of locomotive engines, substantially as and for the purposes set forth, and illustrated in the drawing.

(Specification, 2s.; drawing, 1s.)

No. 24625.—6th July, 1908.—WILLIAM HUGH RIDDELL, of Dunedin, New Zealand. An improved construction of school-desk.*

Extracts from Specification.—According to this invention, the desk-frame is formed with a movable upper portion. Depending also from such upper portion are toothed racks, and carried by the lower portion is a shaft having pinions thereon which gear with the teeth of such racks. The desk-top is formed in two parts, longitudinally divided, the back part being a narrow strip to which the front or main part is hinged. The back part is attached to the frame in such a manner that it may be moved backwards or forwards thereon. When a seat is combined with the desk, the frame is provided with a rearward extension formed with supports or bearings at different heights. The seat is formed of a flat board having a trunnion at each side adapted to fit within the supports or bearings.

[NOTE.—The above extract from the specification is inserted in place of the claims.]

(Specification, 4s.; drawing, 1s.)

No. 24666.—25th July, 1908.—ELLIOTT L'ESTRANGE BARTON, of Hawera, New Zealand, Solicitor. Improvements relating to filing systems for documents and the like.*

Claims.—(1.) For the purposes indicated, a file comprising sheets arranged in series of ten and numbered at the sides upon tabs, the intermediate sheets being numbered upon tabs at the bottom of the sheets in black, and subsheets arranged between the intermediate sheets and having tabs numbered in red, substantially as set forth. (2.) The method of entering the client's name in a serial index and assigning a number thereto, entering the client's name and that number in an alphabetical index, and entering the business under that number in a business-matter index, and placing the papers relating to the business on a file having sheets numbered upon tabs, substantially as set forth. (3.) A file having spikes with holes near their points, whereby a cord may be inserted prior to withdrawing the papers, for the purpose of tying the papers together after removal from the file, substantially as set forth. (4.) The combination and arrangement of parts comprising the improvements relating to filing systems for documents and the like, substantially as and for the purposes set forth, and illustrated in the drawings.

(Specification, 5s. 6d.; drawing, 3s.)

No. 24771.—8th August, 1908.—GEORGE WILLIAM GOUGH, of Dunedin, New Zealand, Architect. Book-support.*

Claim.—Improvements in and relating to book-supports, comprising an adjustable wire spring clip, the end thereof terminating in loops at right angles to each other, substantially as and for the purpose set forth, and as illustrated in the drawings.

(Specification, 1s. 9d.; drawing, 1s.)

No. 24775.—7th August, 1908.—HARRY BOSTOCK, of Dunedin, New Zealand, Commercial Traveller (nominee of Edwin Bostock, of Stafford, England, Shoe-manufacturer). Improvements in boots and shoes.*

Claims.—(1.) A lace-up shoe having combined therewith means for converting it into a buckle or other house-shoe. (2.) A shoe having eyeleted meeting-flaps, a lateral slot in each flap, a tongue narrow at its lower end and wider at its upper end, and a loop on the back of the tongue, substantially as and for the purposes set forth. (3.) In combination with a shoe constructed according to claim 2, a buckle having a double leather strip passing therethrough and a lace connected to the rear strip, substantially as and for the purposes set forth.

(Specification, 3s.; drawing, 1s.)

No. 24785.—12th August, 1908.—ALFRED MELVILLE PERRY, of 231 Willis Street, Wellington, New Zealand, Clerk. An improvement in mud-guards for ladies' cycles.*

Claims.—(1.) The combination with a cycle-wheel mud-guard, of strips of American leather or other suitable material secured one along each edge of the mud-guard and shaped to extend across the corresponding sides of the wheel-rim, substantially as specified. (2.) The attachments to the mud-guards of cycle-wheels, constructed and arranged substantially as described and explained, and for the purpose set forth.

(Specification, 2s.; drawing, 1s.)

No. 24821.—20th August, 1908.—WILLIAM HENRY McGEEVER, of Greenmount, Queensland, Australia, Station-master. Improved device for use in connection with the staff working of rail- and tram-ways, and method of using same.*

Extracts from Specification.—I provide a principal staff . . . and a number of up- and down-train subsidiary staves. The staff is made of any suitable shape, preferably in the form of a flat ring and of light material. It is provided with means whereby the staves may be detachably secured thereto, said means being such that they cannot be manipulated by the engine-driver. The staff has painted or otherwise marked on either side thereof instructions as to the direction in which it is to be used and any other instruction that may be necessary. It is also provided with simple means by which other messages or instructions may be indicated thereon, to be removed when necessary. Provision may be made for the attachment of a number of padlocks for use in securing the staves to the staff, and the messages to either, as the case may be. The staves are made of similar shape and material as the staff. As before mentioned, there is one set of staves for use with "down trains" and one set for the "up trains"; they are therefore marked accordingly. Furthermore, they are also each provided with an instruction tablet, ring, or other device (having means for securing them in the desired position), as in the case of the staff. If desired, the staves may be marked with the number allowed to be used on the section, and with consecutive numbers indicating the order in which they are to be delivered.

[NOTE.—The above extracts from the specification are inserted in place of the claims.]

(Specification, 8s. 6d.; drawing, 1s.)

No. 24838.—25th August, 1908.—ELLIOTT L'ESTRANGE BARTON, of Hawera, New Zealand, Solicitor. Improvements in aeronautical apparatus.*

Extract from Specification.—According hereto, a handle, consisting of a wheel mounted upon a shaft, is pivoted upon gimbals mounted upon a standard. A pulley connected to the gimbals is rotated when the handle is turned, and the motion is communicated by a belt or cord to another pulley or to each end of a cross-bar fixed to the vertical rudder of the machine. A cord or the like at one end of the handle passes around a pulley fixed to the horizontal rudder, and has its other end attached by a spring to the frame of the machine, or the cord or the like is attached at its other end to the extremity of a cross-bar on the horizontal rudder. Attached to the opposite ends of the bar is a spring cord attached at its other end to the frame of the machine. When the handle is oscillated fore and aft the pulley is rotated and the horizontal rudder operated. An important feature of the invention is the twisting of the side wings of the machine to approximate somewhat to the form of a screw, or so to distort the wings, or the outer portion of the wings, on each side in opposite senses as to produce a section of a screw, which as it is propelled through the air will tend to cause the machine to rotate on its axis of flight as it is propelled forward, in a right- or left-hand sense according to whether the screw formed is a right- or left-hand one.

[NOTE.—The above extract from the specification is inserted in place of the claims.]

(Specification, 8s. 6d.; drawing, 2s.)

No. 24839.—21st August, 1908.—EDWARD DOWNEY, of 131 Victoria Avenue, Wanganui, New Zealand, Umbrella-manufacturer. An umbrella-holder for vehicles.*

Claim.—In a tapered cylindrical case having two diaphragms, one near the top bored to receive the body of umbrella, and one near the bottom to receive the ferrule end, substantially as described in this specification and drawing.

(Specification, 1s. 9d.; drawing, 1s.)

No. 24857.—31st August, 1908.—JOHN ROBERT KENT, of Somerfield Street, Sydenham, Christchurch, New Zealand, Designer of Boot and Shoe Uppers. Improvements in uppers of shoettes and the like.*

Extract from Specification.—According hereto, a tongue approximately T-shaped is cut out upon the middle line of the upper, oval holes being formed upon each side of the tongue, and the usual approximately horseshoe-shaped

piece cut out of the back of the upper for the reception of the ankle. The leather is cut through from the tongue to the ankle-space, thereby forming a strap upon each side of the upper, and to which buttons are attached.

[NOTE.—The above extract from the specification is inserted in place of the claims.]

(Specification, 3s. 9d.; drawing, 1s.)

No. 24860.—31st August, 1908.—PERCIVAL ARTHUR LE MARQUAND, Engineer, and CLARENCE WALTER LE MARQUAND, Plumber, both of Auckland, New Zealand. Improved means for the utilisation of the exhaust from engines for heating liquids.*

Claims.—(1.) Means for the utilisation of engine-exhaust for heating liquids, consisting of a chamber and a series of pipes arranged within the chamber and of gradually increasing diameter from the inlet to the outlet end, and through which the exhaust is led, substantially as specified. (2.) Means for the utilisation of engine-exhaust for heating liquids, consisting of a chamber, a series of pipes arranged within a chamber and of gradually increasing diameter from the inlet to the outlet end, opening at intervals through the sides of the chamber and provided with screw plugs or the like covering such openings, substantially as specified.

(Specification, 2s.; drawing, 1s.)

No. 24956.—18th September, 1908.—THOMAS FRENCH, of Waitara West, Taranaki, New Zealand, Farmer. An improved gate or fence post.*

Claims.—(1.) In a reinforced-concrete post, imbedding a ring at each end of the post and attaching reinforcing rods to the said rings, substantially as set forth. (2.) A reinforced-concrete post having a hole of large diameter at each end of the post and tapering to a small diameter at the ground-level, substantially as set forth. (3.) The combination and arrangement of parts comprising the improved gate or fence post, substantially as and for the purposes set forth, and illustrated in the drawing.

(Specification, 1s. 9d.; drawing, 1s.)

No. 25034.—3rd October, 1908.—WILLIAM NELSON, of 46 Douglas Street, Auckland, New Zealand. A ventilator for a lamp, or flue-pipe, or any air-shaft.*

Claims.—(1.) The ventilator for a lamp, flue-pipe, or air-shaft, specified, consisting of an inner and outer cylinder, said inner cylinder being perforated laterally at its top end by a series of holes, said inner cylinder being fitted at its top with a cap and being secured to said outer cylinder by bolts or studs, and the annular space provided thereby between said inner and outer cylinder, for the purpose set forth, as described and illustrated.

(Specification, 2s. 6d.; drawing, 1s.)

No. 25044.—7th October, 1908.—JAMES BAIRD, of Hamilton, New Zealand, Engineer. A sanitary dry-earth closet.*

Extract from Specification.—One form of the invention consists in providing a rotatable platform or table beneath the seat of the closet at a suitable distance thereunder. Another form of the invention is the providing of an endless belt working on wheels.

[NOTE.—The above extract from the specification is inserted in place of the claims.]

(Specification, 3s. 3d.; drawing, 2s.)

No. 25830.—14th April, 1909.—HERMANN PAPE, of 36 Hohe Bleichen, Hamburg, Germany, Engineer. Process for the preparation of zinc-oxide for reduction.

Claim.—Process of preparing zinc-oxide for reduction and for transport, consisting in exposing the loose zinc-oxide in the condition in which it is obtained from the dust-chambers or filtering-appliances for some considerable time to a great heat until the zinc-oxide coagulates and forms dense solid lumps or pieces mixed with finer hard granules, whereupon the oxide condensed or solidified in this manner is allowed to cool.

(Specification, 2s. 6d.)

No. 25880.—27th April, 1909.—THOMAS FIRTH, of 7 Martin Street, Wellington, New Zealand, Labourer. A window-locking device.

Claims.—(1.) In a window-locking device, the bracket VII, with its projection VIII, and one screw, substantially as shown in my drawings and described in my specification. (2.) In a window-locking device, bracket VIII, with its projection at the bottom, and one screw for attachment to the sash-rail, substantially as shown in my drawings and described in my specification. (3.) In a window-locking device, the means v on standard x for causing it to fall into a horizontal position so as not to obstruct the light when not in use, and VI for the convenience of working the standard, substantially as shown in my drawings.

(Specification, 1s. 9d. ; drawing, 1s.)

No. 25911.—5th May, 1909.—GEORGE McMULLEN, of 76 Outram Street, Perth, Western Australia, Architect, and LAURENCE DWYER, of 59 Vincent Street, Perth aforesaid, Manufacturer, and RICHARD PAUL VINCENT, of Murray Street, Perth aforesaid, Merchant. Steel-fibre concrete.

Claim.—In the manufacture of concrete, the addition and intermixture and kneading of steel or iron fibres, or strips, or strands, substantially as and for the purposes set forth and explained.

(Specification, 1s. 9d.)

No. 25935.—12th May, 1909.—JOSEPH EDWARD EPHRAIM, of 21 Boyce Street, Glebe Point, Sydney, New South Wales, Metal-worker. Improvements in earth-closets or privies.

Claims.—(1.) Improvements in earth-closets of the class set forth, comprising the combination of an ordinary casing containing an earth pan or receptacle with a D-shaped bowl having internally at or near its bottom a hinged flap forming a valvular bottom adapted to be opened and closed by mechanism operated by the seat as described and ascertained. (2.) In earth-closets of the class set forth, a D-shaped bowl, at or near its bottom a hinged flap or valve with a lever-arm adapted to be operated by the seat as described. (3.) In earth-closets of the class set forth a D-shaped bowl, at or near its bottom a hinged flap with a lever-arm connected to a plunger-rod, and a coil spring for returning the flap to its closed position, and embodying the parts forming the improvements described and ascertained.

(Specification, 3s. 9d. ; drawing, 2s.)

No. 25940.—12th May, 1909.—FRED WALSH, of International Patents, Trade Marks, Designs, and Copyrights Bureaux, George and Wynyard Streets, Sydney, New South Wales, Australia, and 475 Collins Street, Melbourne, Victoria, Australia, Patent and Trade Mark Attorney (nominee of Pierre Poetto, of 4 Rue Pajol, Paris, France, Mechanical Engineer). Hydro-pneumatic iso-synchronous time communication to any number of pneumatic clocks.

Extract from Specification.—The object of this invention is to communicate by means of a hydro-pneumatic iso-synchronous device and a system of air-pipes the time from a regulator to any desired number of secondary clocks or receivers connected with said system of air-pipes. This communication is effected by means of an impact of air which is produced in one or more air-vessels through the sudden admission of a certain quantity of water, whereby said impacts, under the influence of the regulator, are repeated at determined periods (in the given example, every 60 seconds). By the effect of this impact of air the bellows of the receivers become inflated and operate the displacement of the hand to the extent of one division (every minute).

[NOTE.—The above extract from the specification is inserted in place of the claims.]

(Specification, 8s. 6d. ; drawing, 3s.)

No. 25958.—20th May, 1909.—MARSHALL TILLIE, of Foyle Factory, Londonderry, Ireland, Shirt-manufacturer. Improvements in machines for making button-holes in collars, cuffs, shirt-neckbands, and the like.

Claims.—(1.) A machine or apparatus for making button-holes in collars, cuffs, shirt-neckbands, and the like, whereby the button-holes can be made simultaneously without previous marking by hand, comprising, in combination, a tee-shaped framework and three simultaneously actuated button-hole forming and sewing mechanisms mounted on the framework,

and capable of being adjusted thereon to suit the various articles being operated on, substantially as described. (2.) In a machine or apparatus for making button-holes in collars, cuffs, shirt-neckbands, and the like, such as claimed in claim 1, the means for longitudinally adjusting two of the button-hole forming and sewing mechanisms, comprising hand-operated lever mechanism and a measuring scale whereby said button-hole forming and sewing mechanisms can be accurately set to the size of the article being operated on, substantially as described. (3.) A machine or apparatus for making button-holes in collars, cuffs, shirt-neckbands, and the like, having its parts constructed, arranged, and combined together substantially as described, with reference to the drawings.

(Specification, 5s. ; drawing, 1s.)

No. 25976.—26th May, 1909.—JAMES THOMAS HUNTER, of Queen's Chambers, Wellington, New Zealand, Patent Agent (nominee of Linotype and Machinery, Limited, of 188 and 189 Fleet Street, London, England, the assignees of Herbert Pearce and John Ernest Billington, both of Linotype and Machinery Works, Broadheath, Chester, England). Improvements in the production of linotypes, and apparatus therefor.

Extracts from Specification.—In place of interchangeable mould body-plates, this invention provides adjusting mechanism for operating the mould-body in order to attain basal alignment of the characters of diverse depths on a linotype. . . . To prevent accidental movement, this invention provides a lock acting on, say, a cam bar which is employed in one construction for adjusting the lower mould-wall. . . . We prefer to deal with the several founts—so far as regards the adjustments necessary for their respective descenders—as grouped together, allowing the same descender adjustment for all bodies of from say 3 to 6 point, from say 7 to 10 point, and from say 11 to 14 point respectively. . . . This invention further provides novel mechanism for adjusting the left-hand knife towards and from the right-hand knife to correspond with the mould-bottom adjustments, or, in the case of the mould-cap being adjustable also, the invention provides such a mechanism for each knife. . . . Further features of the knife-adjustment comprise a laterally adjustable cam bar for adjusting the corresponding knife, a particular arrangement of springs for operating the knife against the action of the cam bar, a particular arrangement of locking-device for the knife-adjustment, and other subsidiary or accessory devices contributing to the efficient and accurate working of the apparatus.

[NOTE.—The above extracts from the specification are inserted in place of the claims.]

(Specification, £1 5s. ; drawing, 9s.)

No. 25986.—26th May, 1909.—EGBERT VON LEPEL, of 9 Traunsteinerstrasse Charlottenberg, Berlin W., Germany, Engineer. Improved apparatus for producing rapid electric oscillations.

Claims.—(1.) An apparatus for producing rapid electric oscillations by direct or alternating current, comprising, in combination, a pair of electrodes of which the negative at least is metallic, and which have their effective surfaces substantially parallel with each other, and so close together that the current-supply voltage will cause the discharge to start, and one or more oscillating circuits connected in parallel with the electrodes, substantially as described. (2.) In the apparatus of claim 1, inserting between the electrodes a layer of paper or other suitable dielectric adapted to be gradually consumed or dissipated by the discharge, substantially as described. (3.) In apparatus according to the preceding claims, two oscillatory circuits connected in parallel with the electrodes and containing capacities of different values but having natural vibration frequencies which are approximately equal or in harmonic relation with each other.

(Specification, 5s. ; drawing, 1s.)

No. 25996.—28th May, 1909.—JAMES BAIRD, of Ardmore, Auckland, New Zealand, Engineer. A sanitary dry-earth closet.

Claim.—The sanitary dry-earth closet specified, comprising a frame carrying two receptacles held together by flange or overlap and topped by seat with opening therein, hook-and-eye connections for attaching said seat to said frame, and the dry-earth drawer, in the manner and for the purpose set forth, as described and illustrated.

(Specification, 1s. 6d. ; drawing, 1s.)

No. 26013.—9th June, 1908.—FRANK COTTON, of Hornsby, New South Wales, Australia, Engineer. Improved method of and apparatus for burning fuel for the purpose of heating furnaces, kilns, and ovens.

[NOTE.—This is an application under the International and Inter-colonial Arrangements, the date given being the official date of the application in Australia.]

Claims.—(1.) The process for burning fuel for the purposes set forth, which consist in top-loading the fuel into a closed-bottom shaft-furnace, blowing into the mass of said fuel a blast of air with superheated steam to effect complete combustion of the fuel in said furnace, leading the incandescent gases from the top of the fuel-bed direct to the furnace or oven to be heated thereby, and removing the excess of ashes from the bed of the furnace. (2.) Producing completely oxidized incandescent gases for the purposes set forth, by blowing a sufficient blast of air with superheated steam into and up through a deep bed of fuel contained in a chamber having a closed bottom and a top gas-emission flue. (3.) A furnace for the purposes set forth, consisting of a vertical chamber having top fuel-loading and bottom ash-removing vents and top gas-emission flue, which chamber is adapted to carry a deep bed of fuel, and is fitted with tuyeres for delivering a blast of air and superheated steam into the body of live fuel therein in sufficient volume to blow the mass of fuel into complete incandescence. (4.) A stack furnace for the purposes set forth, wherein all the air required for complete oxidation of the fuel is supplied through tuyeres blown by jets of superheated steam which direct it into the bed of live fuel in said furnace, and wherein also incandescent gases are conveyed from above the fuel-bed into a neck or flue which leads them to the furnace, kiln, or oven in which they are utilised.

[NOTE.—Here follows three other claims.]

(Specification, 15s. 6d. ; drawing, 6s.)

No. 26026.—5th June, 1909.—EDWARD ROLFE, of 380 George Street, Sydney, New South Wales, Australia, Chemist. Composition for arresting and preventing the decay of teeth.

Claims.—(1.) The described composition of matter, consisting of magnesium-carbonate (Levis), calcium-phosphate, citric acid, sodium-chloride, animal gelatin, and bicarbonate of soda, substantially as described and for the purpose specified. (2.) The described composition of matter for preventing and arresting the decay of teeth, consisting of magnesium-carbonate (Levis), 6 parts; calcium-phosphate, 2 parts; citric acid, 6 parts; sodium-chloride, 3 parts; animal gelatin, 6 parts; and bicarbonate of soda 5 parts: substantially as specified.

(Specification, 1s. 9d.)

No. 26034.—21st December, 1908.—THOMAS WILLIAMS, of 8 West Smithfield, London, England, Engineer. An improved cutting-plate for meat-cutters.

[NOTE.—This is an application under the International and Inter-colonial Arrangements, the date given being the official date of the application in Great Britain.]

Claim.—A cutting-plate for meat-cutters, having a series of notched or serrated slots extending therethrough and arranged parallel with a diametrical line of the plate, the slots or slot portions on one side of a diametrical line at right angles to them having their notches or serrations on the opposite side to the slots or slot portions on the other side of said line, substantially as and for the purpose described, and illustrated.

(Specification, 4s. ; drawing, 1s.)

No. 26046.—7th June, 1909.—GEORGE WALKER, of Tuakau, Auckland, New Zealand, Gentleman. An improved fibre polishing and drying machine.

Claims.—(1.) In the improved fibre polishing and drying machine, the same having, in combination, a scutcher mounted on a hollow spindle, said hollow spindle being supplied with hot air or steam, and beater-pipe bars leading from and to such hollow spindle, and fixed steam or hot-air pipes surrounding part of the working circumference of said beater-pipe bars; the whole being surrounded by suitable casing and operated in the manner and for the purpose set forth, as described and illustrated. (2.) In the improved fibre polishing and drying machine, the same having beater-bars formed of piping, said piping being supplied and heated by hot air or at steam conveyed to and from such by the hollow spindle and connections thereto and therefrom, for the purpose set forth, as described, and illustrated.

(Specification, 3s. 3d. ; drawing, 1s.)

No. 26051.—15th October, 1908.—JAMES ANGUS MUNRO, and GILBERT RAY GLUYAS, both of Brown's Spring Company, 440 Elizabeth Street, Melbourne, Victoria, Australia, Spring-makers. Improvements in springs for carriages, vehicles, and the like.

[NOTE.—This is an application under the International and Inter-colonial Arrangements, the date given being the official date of the application in Australia.]

Claims.—(1.) In springs for minimising vertical vibration in carriages, carts, and other vehicles, a spring A, substantially as described, and as illustrated in Fig. 1 of the drawings. (2.) In springs for minimising vertical vibration in carriages, carts, and other vehicles, the combination of the spring A, leaf spring B, clips C, and axle D, substantially as described, and as illustrated in Fig. 1 of the drawings. (3.) In springs for minimising vertical vibration in carriages, carts, and other vehicles, a spring A', substantially as described, and as illustrated in Fig. 2 of the drawings. (4.) In springs for minimising vertical vibration in carriages, carts, and other vehicles, the combination of the spring A', elliptical leaf spring B', clips C' and E', axle D', and undercarriage F', substantially as described, and as illustrated in the drawings.

(Specification, 2s. 3d. ; drawing, 1s.)

No. 26054.—10th June, 1909.—VICTORIA ALEXANDRENA MURIEL MAY HAMILTON TEMPLE PLUNKET, Wife of His Excellency the Governor of New Zealand, of Wellington, New Zealand. An improved shade for perambulators and the like.

Extract from Specification.—According to this invention, the shade is carried upon a collapsible frame of ordinary construction, which carries a fixed screen extending to a convenient height above the top of the perambulator. The front, both sides, and the back are provided with adjustable curtains or flaps adapted to be rolled or folded up to provide an opening or openings for the free passage of air above the fixed screen referred to.

[NOTE.—The above extract from the specification is inserted in place of the claims.]

(Specification, 3s. 6d. ; drawing, 1s.)

No. 26055.—10th June, 1909.—HENRY ALBERT MASON, of Lower Hutt, Wellington, New Zealand, Plumber. An improved pipe-stop.

Claims.—(1.) Apparatus for the purpose indicated, consisting of the parts constructed, arranged, combined, and operating substantially as specified, and as illustrated in the drawing. (2.) Apparatus for the purpose indicated, comprising a rubber disc of slightly larger diameter than the pipe to be stopped, a stem by which said disc is inserted in the pipe, and means by which said disc is withdrawn from the pipe, substantially as specified, and as illustrated in the drawing. (3.) In apparatus for the purpose indicated, the employment of a rubber disc having cords near its outer circumference by means of which the disc is operated upon to enable it to be withdrawn from the pipe, substantially as specified, and as illustrated in the drawing.

(Specification, 2s. 6d. ; drawing, 1s.)

No. 26064.—12th June, 1909.—SQUIRE JAMES SMITH, of 838 Homer Street, and GILBERT PAUL MONTAGU, of 440 Richards Street, both of Vancouver, British Columbia, Canada, Barber and Electrical Engineer respectively. A razor-hone having depressed interruptions in the plane of its abrading-surface.

Claims.—(1.) In a blade-sharpening hone or set-stone, the provision of recessed interruptions in the plane of the abrading-surface. (2.) In a blade-sharpening hone or set-stone, the provision of recessed apertures uniformly distributed over the abrading-surface.

(Specification, 2s. 9d. ; drawing, 1s.)

No. 26067.—11th June, 1909.—WILLIAM BEAMISH, of Stoneycroft, Hastings, New Zealand, Inventor. An improved mouthpiece for cigars or cigarettes.

Claims.—(1.) A mouthpiece for the purpose described, comprising a tapered shell having its smaller end closed, a small smoke-hole pierced preferably at its junction with said smaller end, two opposite indentations in it near the smaller

end, air-holes in it near the larger end, and a longitudinal slot extending rearwardly a short distance from the larger end, substantially as described. (2.) A mouthpiece according to claim 1, in combination with a cutting-blade fitted in the larger end of the shell, and having a triangular piece cut out of its rear end, substantially as described.

(Specifications, 2s. 6d.; drawing, 1s.)

No. 26071.—11th June, 1909.—CHARLES EDWARD WALLDER, of 414 Burwood Road, Hawthorn, Victoria, Australia, Wholesale Butcher, and HARRY MOSS ASHTON, of Coburg, Victoria aforesaid, Engineer. Instrument for use in skinning carcasses, cutting flesh, and other suitable materials.

Claims.—(1.) In instruments for skinning carcasses or cutting flesh and other suitable materials, a revolvable guard-plate as *n*, substantially as and for the purposes set forth. (2.) In instruments for skinning carcasses or cutting flesh and other suitable materials, a revolvable guard-plate the periphery of which is serrated, substantially as and for the purposes set forth. (3.) In instruments for skinning carcasses or cutting flesh and other suitable materials, a disc or plate for holding the cutting-blades, and having therein grooves or slots, with means for adjusting and holding said blades in true radial positions, substantially as and for the purposes set forth. (4.) In instruments for skinning carcasses or cutting flesh and other suitable materials, in combination, a holding disc or plate as *k*, screws as *q* set in a circular line on same, and sharpened edged cutters as *p*, capable of being revolvably adjusted on and held tight by the said screws, substantially as and for the purposes set forth.

[NOTE.—Here follows three other claims.]

(Specification, 5s. 9d.; drawing, 1s.)

An asterisk (*) denotes the complete specification of an invention for which a provisional specification has been already lodged.

NOTE.—The cost of copying the specification and drawing has been inserted after the notice of each application. An order for a copy or copies should be accompanied by a post-office order or postal note for the cost of copying.

The date of acceptance of each application is given after the number.

Extracts from the drawings accompanying the foregoing complete specifications appear at the end of this *Gazette*.

J. C. LEWIS,
Registrar.

Provisional Specifications accepted.

Patent Office,
Wellington, 14th July, 1909.

APPLICATIONS for Letters Patent, with provisional specifications, have been accepted as under:—

- No. 25947.—Milburn Lime and Cement Company, Limited, cement-manufacture. (F. Oakden.)
- No. 25967.—W. Beamish, stop-cock regulator.
- No. 25983.—A. T. Lawrence, plough.
- No. 25992.—J. Riddles and G. Metcalfe, egg-whisk.
- No. 25995.—E. G. M. Foord, obtaining power from stream.
- No. 26001.—W. McKenzie, whip socket fastener.
- No. 26002.—A. Pearse, advertising-device.
- No. 26004.—D. Nable, saddle.
- No. 26005.—J. C. Tyrrell and C. P. Jensen, locking railway-car doors, &c.
- No. 26006.—J. H. Mau, cheese measurer and cutter.
- No. 26014.—A. Lyell, apple, &c., parer, corer, and divider.
- No. 26015.—H. L. Cottrell and J. Brookes, score-indicator.
- No. 26016.—C. E. L. G. C. Larmour, loading vehicles.
- No. 26020.—E. Smethurst, obtaining sample of wool from interior of bale.
- No. 26021.—P. Keayes, pencil-clip.
- No. 26023.—C. G. Kelly, coupling-cock for Westinghouse air-hose.
- No. 26029.—A. Walker and M. W. Marriage, grit-mill.
- No. 26030.—A. Morris, water-motor.
- No. 26031.—J. S. Agnew, tea-strainer.
- No. 26032.—G. A. McGregor, gravity fuel-feed. (J. McGregor.)
- No. 26036.—J. D. Jensen and C. E. Holland, shirt-collar.
- No. 26039.—E. Walker, clothes-peg.
- No. 26048.—O. A. Miller Treering Machine Company, heating tools electrically. (J. Oertly, C. F. Dudley, and J. S. Hansen).*

* This application is regazetted on account of a clerical error in the notice in *Gazette* of 1st July.

No. 26049.—F. G. Gibbs and W. J. Bowman, chaff-cutter-knife sharpener.

No. 26050.—E. Thorn, fastening of children's knickerbockers.

No. 26052.—A. E. Maxwell, hollow concrete walls.

No. 26053.—W. J. H. Greensill, preserving-jar.

No. 26065.—J. and S. E. Fraser and C. Jumeaux, vessel's course recorder.

No. 26066.—F. M. Allan, rotary cement-kiln.

No. 26068.—G. Pettigrew and W. P. Hambleton, land-reclaimer.

No. 26076.—W. C. Haines, rotary engine.

No. 26080.—J. W. M. Harrison, stiffening soft collar.

No. 26081.—S. Symington and F. Thompson, displaying advertisements.

No. 26084.—C. F. Lungley, steel, &c., preservative.

No. 26085.—C. F. Lungley, hides and leather treatment.

No. 26086.—C. J. J. S. Hollway, draining-implement.

No. 26088.—J. H. Hutchinson, depositing merchandise in loads.

No. 26094.—E. J. Chilton, hauling venetian-blinds.

No. 26102.—L. W. Alexander non-refillable bottle.

No. 26119.—United Shoe Machinery Company, heel-attaching machine. (A. Bates.)

No. 26120.—United Shoe Machinery Company, fastener-inserter. (C. D. Foye.)

No. 26129.—N. C. Christie and W. Henderson, railway air-brake signalling apparatus.

No. 26140.—J. V. Coleman, metal-separation.

No. 26143.—L. J. Norton-Taylor, tram-car destination indicator.

[NOTE.—Provisional specifications cannot be inspected, or their contents made known by this office in any way, until the complete specifications in connection therewith have been accepted.]

Letters Patent sealed.

LIST of Letters Patent sealed from the 24th June to the 6th July, 1909, inclusive:—

- No. 23612.—T. Morris, spring catch.
- No. 23915.—United Shoe Machinery Company, lasting-machine. (J. Cavanagh, jun.)
- No. 24073.—H. Quertier, seat, berth, room, and table indicator.
- No. 24083.—United Shoe Machinery Company, press. (C. Bennion.)
- No. 24103.—C. A. Soans and A. H. Graves, party-line telephone.
- No. 24104.—J. Bennett, screwdriver appliance.
- No. 24105.—A. C. Murray, bucket-handle.
- No. 24108.—J. Thompson, boot-manufacture.
- No. 24116.—J. H. Hutchinson, transporting merchandise, &c.
- No. 24120.—J. M. Landon, talking-machine.
- No. 24122.—N. Guthridge, ore-concentrator. (W. L. and F. S. Card.)
- No. 24141.—J. Harrison and G. P. Martin, animal-cover attachment.
- No. 24142.—C. F. M. C. Erhardt, cuff-protector.
- No. 24150.—M. Trenwith and H. H. Smith, eyelet-hole-punching machine.
- No. 24165.—J. M. Dowd, plough.
- No. 24171.—United Shoe Machinery Company, boot, &c., assembling machine. (O. Ashton.)
- No. 24172.—United Shoe Machinery Company, pulling-over machine. (O. Ashton.)
- No. 24173.—United Shoe Machinery Company, sewing-machine. (J. R. Scott.)
- No. 24200.—E. S. Baldwin and H. H. Rayward, vessel-closure. (Chellis Hillman Company—E. D. Chellis.)
- No. 24240.—T. Aitken, apparatus for distributing liquids on roads.
- No. 24249.—L. T. and E. F. Reichel, fire-alarm.
- No. 24256.—C. Meuli, animal-cover fastening.
- No. 24281.—M. Higgins, escape of air in air-brake detecting and signalling.
- No. 24311.—C. H. Williams, fencing-dropper.
- No. 24359.—W. H. Appleby, rolling-stock coupling.
- No. 24371.—W. H. Palmer, explosive.
- No. 24377.—G. A. Pearson, brake-hose coupler and train-cock.
- No. 24407.—W. Aston, fuel-economizer, smoke-preventer and spark-arrester.
- No. 24434.—J. H. and P. Walker, ball cock.
- No. 24463.—E. D. Berry, weighing and delivering skim-milk, &c., in predetermined quantities.
- No. 24475.—H. T. Durant, separation of solids from liquids.
- No. 24503.—T. M. Davies and the Stepney Spare Motor-wheel, Limited, wheel.
- No. 24527.—B. E. D. Kilburn, explosive.

No. 24528.—C. H. Stuart and C. S. Snell, elastic-fluid compressor.

No. 24529.—J. T. Hunter, assemblers for typographic composing-machine. (Linotype and Machinery Limited—W. J. Rennie.)

No. 24561.—C. McL. Graham, Limited, insulator.

No. 24564.—C. McL. Graham, wooden support for insulator.

No. 24591.—F. Rowley, tennis, &c., ball.

No. 24592.—C. J. A. Gottlieb, condenser or vaporiser.

No. 24633.—J. E. and G. W. Glenister, wax match, taper, &c., manufacture.

No. 24643.—E. R. Royston, salt-melting.

No. 24644.—A. Jensen, liquid-ripeners.

No. 24660.—E. E. Wigzell, postage-stamp supplying and delivering machine.

No. 24661.—O. V. Forbes, boot and shoe. (J. T. Woolston).

No. 24662.—W. Hartley, vapour incandescent lamp.

No. 24702.—J. T. Hunter, typographical composing-machine. (Linotype and Machinery, Limited—C. A. Albrecht and C. Muehleisen.)

No. 24703.—C. S. McIntire, casting links in chain form.

No. 24706.—C. A. Macdonald, butter manufacture and apparatus. (T. D. Kyle.)

No. 24713.—F. Dando, game.

No. 24732.—A. James, tube or ball mill. (W. Neal.)

No. 24733.—J. Blake, vacuum milking-machine.

No. 24736.—G. P. Reston and J. F. Molloy, process-block printing.

No. 24786.—C. J. Coleman, railway signalling system.

No. 24864.—Westinghouse Metal Filament Lamp Company, Limited, hollow-filament production. (A. Lederer.)

No. 24865.—Westinghouse Metal Filament Lamp Company, Limited, tungsten-filament production. (A. Lederer.)

No. 24866.—H. W. Hardinge, ore, &c., disintegrating.

No. 24867.—Zone Dynamo and Motor Patents Company, Limited, dynamo electric machine. (J. W. Burleigh.)

No. 24905.—Westinghouse Metal Filament Lamp Company, Limited, tungsten-filament production. (A. Lederer.)

No. 24906.—J. T. Hunter, typographical composing-machine. (Linotype and Machinery, Limited—H. Pearce and J. E. Billington.)

No. 24922.—Friesse-Greene Patents, Limited, cinematographic apparatus. (W. Friesse-Greene.)

No. 24977.—C. v. Heiden, pianoforte.

No. 24982.—W. J. L. Sandy, electrolyte.

No. 25026.—W. Fowles, production of predigested food.

No. 25037.—H. G. Scott, dispensing-stopper.

No. 25061.—B. Trehwella and W. Trehwella, band-gearing grip.

No. 25062.—B. Trehwella and W. Trehwella, double-pinion toothed gear train.

No. 25063.—B. Trehwella and W. Trehwella, pawl-and-ratchet mechanism.

No. 25078.—T. Gare, manufacture of rubber articles from waste rubber.

No. 25079.—E. V. Schou, soap-manufacture.

No. 25100.—Oxychlorides (1907) Limited, sewage-treatment. (A. B. Thomson.)

No. 25102.—P. R. Hughes, securing tops of bales of wool.

No. 25127.—J. C. Koller, extraction of metals.

No. 25129.—J. Mason, gate-latch.

No. 25135.—F. Harrison and C. H. Dorman, process for producing tungsten-metal combinations.

No. 25145.—Monotype Machine (Colonial Patents) Syndicate, Limited, composing-machine record-strip controller. (J. S. Bancroft and M. I. Indah.)

No. 25146.—J. F. Stephenson, spring mattress.

No. 25147.—J. F. Stephenson, bedstead-joint.

No. 25149.—J. K. Toles, fibre-cleaning apparatus.

No. 25150.—J. K. Toles, fibre conveying and reversing apparatus.

No. 25198.—P. Brandt, hydraulic and pneumatic machine, &c.

No. 25273.—K. I. Lindstrom, milking-machine.

No. 25329.—E. Ibbotson, washing-fluid.

No. 25399.—J. Fisher, bale-fastener.

No. 25418.—E. N. Waters, phonograph, and phonograph sound-records. (The New Jersey Patent Company—T. A. Edison, H. T. Oliver, and P. Weber.)

No. 25467.—L. Lilley, angle bracket.

No. 25496.—E. Schwer, sheet-metal-bath construction.

No. 25513.—A. J. Bedford, lighting and extinguishing street gas-lamps.

No. 25514.—A. J. Bedford, lighting and extinguishing street gas-lamps.

No. 25520.—G. B. Johnson, sheet-metal-shearing machine.

No. 25548.—H. R. Gerrie and W. Pender, tobacco-leaf-stripping machine.

No. 25588.—E. Andreae, curtain-suspender.

No. 25602.—A. Cowell and J. Phillips, fencing-dropper.

No. 25620.—G. A. Pearson, air- and vacuum-brake coupling.

No. 25638.—Black Sand and Gold Recovery Company, pipe dredge. (T. J. Lovett.)

No. 25671.—H. Fisher, life-saving apparatus.

Letters Patent on which Fees have been paid.

[NOTE.—The dates are those of the payments.]

SECOND-TERM FEES.

NO. 19291.—C. J. Johnson and J. Carlaw, fuel-economizer, &c. 30th June.

No. 19304.—G. T. Voorhees, fluid-compressor. 3rd July.

No. 19707.—The Hibberd Prepayment Machine Syndicate, Limited, coin-freed machine. (C. E. Hibberd.) 30th June.

No. 19811.—J. Macalister, concave roller-scraper. 1st July.

No. 19849.—Marconi's Wireless Telegraph Company, Limited, electric-current measurer, &c. (J. A. Fleming.) 30th June.

No. 19853.—The Mond Nickel Company, Limited, obtaining nickel. (C. Langer.) 29th June.

No. 19854.—The Mond Nickel Company, Limited, nickel-ore treatment. (C. Langer.) 29th June.

No. 19855.—Aktiebolaget Lux, gas, &c., check valve. (F. J. H. Rustige.) 8th July.

No. 19869.—J. Macalister, ridger. 1st July.

THIRD-TERM FEES.

No. 15103.—United Shoe Machinery, Company, turning boots, &c. (A. Eppler.) 29th June.

No. 15165.—J. P. Robertson, electrical fire-alarm. 8th July.

No. 15203.—United Shoe Machinery Company, skiving-machine. (E. F. Davenport.) 29th June.

No. 15204.—United Shoe Machinery Company, skiving-machine. (C. H. Bayley.) 29th June.

No. 15205.—United Shoe Machinery Company, fastenings-inserters. (E. T. Freeman.) 29th June.

No. 15206.—United Shoe Machinery Company, welt-sewer. (E. E. Winkley.) 29th June.

No. 15207.—United Shoe Machinery Company, leather-skiver. (J. R. Scott.) 29th June.

No. 15208.—United Shoe Machinery Company, stitch-separating machine. (J. B. Hadaway.) 29th June.

No. 15228.—United Shoe Machinery Company, sole-laying machine. (G. H. Gifford.) 29th June.

No. 15241.—L. Roberts, dress-cutting chart. 29th June.

No. 15690.—H. Severin, hollow-glass-article manufacture. 8th July.

Subsequent Proprietors of Letters Patent registered.

[NOTE.—The name of the former proprietor is given in brackets; the date is that of registration.]

NO. 19847.—Note of deed, dated the 21st June, 1909, entered on Register, between Edmund Elliott, of Arch Hill, Auckland, New Zealand, Hair-worker, Frank Jagger, of Auckland aforesaid, Merchant, and Joseph Graham, Furnishing Department Manager, Lawford Godfrey Reeves, Hugh Moore Johnston, and David Latimer, all of Auckland aforesaid, Merchants, with reference to grant of option to purchase. Hair- and wool-washing machine. (E. Elliott.) 2nd July, 1909.

No. 23102.—Burmeister and Wains Eksport Kompagni Aktieselskab, of Copenhagen, Denmark, Overgaden neden Vandet No. 9. Preventing rust in tinned-iron tanks, &c. (N. C. Nielsen.) 9th July, 1909.

No. 24529.—Linotype and Machinery, Limited, of 188-189 Fleet Street, London, England. Assembler of typographic composing-machine. (J. T. Hunter—Linotype and Machinery, Limited—W. J. Rennie.) 9th July, 1909.

No. 24643.—International Salt Company, Limited, of 6 Laurence Pountney Hill, Cannon Street, London, England, Manufacturers. Melting of salt. (E. R. Royston.) 5th July, 1909.

No. 24906.—Linotype and Machinery, Limited, of 188-189 Fleet Street, London, England. Typographical composing-machine. (J. T. Hunter—Linotype and Machinery, Limited—H. Pearce and J. E. Billington.) 9th July, 1909.

Applications for Letters Patent abandoned.

LIST of applications, with which provisional specifications only have been filed, abandoned (i.e., complete specifications not lodged) from the 26th June to the 10th July, 1909, inclusive:—

No. 24846.—W. J. Howcroft, clothes, &c., washing machine.

No. 24847.—F. A. Alcock, cushion-rail for billiard-table.

No. 24848.—R. T. Bickerton, railway-carriage buffer.

No. 24849.—T. I. Youelle and J. Bellingham, ferro-concrete construction.

No. 24850.—F. H. Trevellian, paper-ribbon printing and winding machine.

No. 24853.—A. H. Wright, game and advertising-apparatus.

No. 24854.—J. F. Macalister, railway-carriage-door actuator.

- No. 24856.—W. F. Robinson, time-table poster.
- No. 24858.—E. Hope, spark-extinguisher.
- No. 24863.—D. Gibbins, rabbit-trapping device.
- No. 24869.—W. R. Smith, colouring paper and linen manufacture.
- No. 24870.—E. O. Blackwell, can-opening attachment.
- No. 24871.—F. J. Cullen, sheep-shearing machine.
- No. 24873.—T. D. Smith, boarding-clamp.
- No. 24874.—F. O. Linstrom, digger-plough.
- No. 24878.—H. E. Wilson, trolley-pole retriever.
- No. 24879.—E. Le Roy, hammock and swing cot.
- No. 24882.—C. F. Millward, sack-filling device.
- No. 24884.—F. O. von Rome and G. Hutchinson, cool-storage safe.
- No. 24885.—J. H. Hutchinson, tipping-lorry.
- No. 24887.—G. E. Humphries, platform-support.
- No. 24890.—G. M. Crawford, trolley-head.
- No. 24892.—T. Belcher and J. Hally, safety life-guard for tram-car, &c.
- No. 24893.—J. F. Lopdell, fireplace-rack.
- No. 24896.—D. Cousins, quartz-grinding apparatus.
- No. 24898.—J. Williams, delivering mail-bags to moving train.
- No. 24903.—J. Syvret, closet.
- No. 24907.—A. A. Stephenson, air-gas generator.
- No. 24909.—F. M. Allan, rotary cement-kiln.

Applications for Letters Patent void.

APPLICATIONS for Letters Patent, with which complete specifications have been lodged, void owing to non-acceptance of such complete specifications, from the 26th June to the 10th July, 1909, inclusive:—

- No. 24201.—O. C. C. Chapman, water-tap.
- No. 24234.—W. D. Ramsay and E. J. Shotton, flooring-substance.
- No. 24245.—J. R. Preston, hot-water supply.

Applications for Letters Patent lapsed.

APPLICATIONS for Letters Patent lapsed, owing to Letters Patent not being sealed, from the 26th June to the 10th July, 1909, inclusive:—

- No. 23876.—F. R. Simmonds and W. Seifert, flax-catcher.
- No. 23900.—F. R. Simmonds and W. Seifert, flax-stripper.
- No. 23903.—W. Maddison, sleeping-accommodation for railway-carriages.

Letters Patent void.

LIST of Letters Patent void through non-payment of renewal fees, and through expiry of term of fourteen years, from the 26th June to the 10th July, 1909, inclusive:—

THROUGH NON-PAYMENT OF SECOND-TERM FEES.

- No. 19252.—P. Ellis, motor.
- No. 19262.—H. Reid, advertising-sign.
- No. 19276.—G. S. Mayhew, compo-board-assembling machine.
- No. 19280.—R. J. Scott, oil or spirit vaporiser.
- No. 19286.—A. Werner, threshing-machine elevator.
- No. 19287.—F. C. Buck, valve or cock.
- No. 19290.—J. Haselden, ventilator.
- No. 19296.—T. Hilton, wire mattress.
- No. 19297.—T. Hilton, tightening wire mattress.
- No. 19298.—T. Hilton, wire mattress.
- No. 19302.—F. McPhee, foot-support.
- No. 19308.—W. A. Stetson, ring-spinning machine. (D. Despradelle.)
- No. 19311.—A. E. Davis, pump and valve.
- No. 19313.—W. S. Bagby, wagon, &c.
- No. 19316.—F. Lyst, internal-combustion engine.
- No. 19318.—N. Setterwell, centrifugal separator.
- No. 19324.—J. King, busk-protector, &c.

THROUGH NON-PAYMENT OF THIRD-TERM FEES.

- No. 14693.—T. D. Kyle, fuel-combustion in furnaces.
- No. 14694.—T. H. Brown and J. E. Staples, branding-fluid.
- No. 14703.—A. F. Wall, shield for busks, &c.
- No. 14707.—F. and T. Mercer and G. D. J. Duck, liquid-sprayer.
- No. 14720.—The Conversion Company (Billings Machinery and Process), Limited, beer-manufacture. (L. Briant and H. C. Rigaud.)
- No. 14721.—T. W. Messenger, ear-trumpet.

THROUGH EXPIRY OF TERM.

- No. 7712.—W. A. Dimick, horse-cover.
- No. 7726.—A. D. Dobson, starting, stopping, and reversing gear for hoists.

Notice of Request to amend Specification.

Patent Office,
Wellington, 14th July, 1909.

REQUESTS for leave to amend the undermentioned applications and specifications for Letters Patent have been received, and are open to public inspection at this office. Any person may at any time from one month from the date of this Gazette give me notice in writing of opposition to the amendments. Such notice must set forth the particular grounds of objection, and be in duplicate. A fee of 10s. is payable thereon.

No. 24734.—Walter Seifert and William Campbell, both of Takapau, New Zealand. Improved apparatus for the treatment of flax and like fibres (advertised in Supplement to *New Zealand Gazette*, No. 64, of the 20th August, 1908).

The nature of the proposed amendment is as follows: To strike out the name "William Campbell" wherever it appears in the documents.

The applicants state, "Our reason for making this amendment is that the said William Campbell has ceased to be interested in the invention, and we request that the patent may issue to the said Walter Seifert."

No. 25393.—29th December, 1908.—William John McDonald, of Kaupokonui, New Zealand, Factory-manager, and Joseph Hopkirk, of Hawera, New Zealand, Engineer. Improvements in apparatus for agitating milk, curd, and the like (advertised in Supplement to *New Zealand Gazette*, No. 4, of the 14th January, 1909.)

The nature of the proposed amendment is as follows: To omit all reference to the name of William John McDonald wherever it occurs in the documents.

The said W. J. McDonald states, "I hereby withdraw my interest and claim in the agitator provisionally protected by Mr. Hopkirk and myself."

J. C. LEWIS,
Registrar.

Design expired.

THE copyright in the following design has expired:—

- No. 213.—F. J. Shelton, of Wellington, New Zealand, Importer. (Kerosene-can.)

Applications for Trade Marks filed.

LIST of applications for registration of Trade Marks filed from the 26th June to the 9th July, 1909, inclusive:—

- Nos. 8076 and 8077.—26th June.—S. Kirkpatrick and Co., Nelson, N.Z. Class 42.
- No. 8078.—29th June.—A. Wander, London, Eng. Class 42.
- Nos. 8079, 8080, and 8081.—29th June.—Bowsfield Steel Company, Limited, Stockton-on-Tees, Eng. Class 5.
- No. 8082.—29th June.—Vacuum Oil Company Proprietary, Limited, Melbourne, Vic., and Wellington, N.Z. Class 47.
- No. 8083.—29th June.—Wright, Stephenson, and Co., Limited, Dunedin and elsewhere, N.Z. Class 42.
- No. 8084.—1st July.—J. S. Fry and Sons, Limited, Bristol, Eng. Class 42.
- No. 8085.—1st July.—A. Rosenthal and Co., Limited, London, Eng. Class 38.
- Nos. 8086, 8087, 8088, and 8089.—2nd July.—F. Levic, Sydney, N.S.W. Class 45.
- No. 8090.—3rd July.—T. Barton, Hamilton, N.Z. Class 41.
- No. 8091.—3rd July.—Aitcheson, Steans, and Co., Christchurch, N.Z. Class 50.
- No. 8092.—5th July.—Cowie and Co., Caversham, N.Z. Class 43.
- No. 8093.—7th July.—A. and T. Burt, Dunedin and elsewhere, N.Z. Class 18.
- No. 8094.—8th July.—Compagnie Française du Gramophone, Paris, France. Class 8.
- No. 8095.—8th July.—E. Morrison and Sons, Warkworth, N.Z. Class 42.
- No. 8096.—8th July.—C. F. Waldron, Auckland, N.Z. Class 14.
- No. 8097.—8th July.—Lever Bros., Limited, Balmain, N.S.W. Class 47.
- No. 8098.—8th July.—Lever Bros., Limited, Balmain, N.S.W. Class 48.
- No. 8099.—8th July.—Porterbryggeriaktiebolaget D. Carnegie and Co., Goteborg, Sweden. Class 43.
- No. 8100.—8th July.—H. J. Schmidt, Auckland, N.Z. Class 39.
- No. 8101.—8th July.—Oxymel Oil and Anti-corrosive Paint Proprietary, Limited, Melbourne, Vic. Class 1.
- No. 8102.—9th July.—Société Anonyme "Dubonnet," Paris, France. Class 43.
- No. 8103.—9th July.—Wright, Stephenson, and Co., Dunedin, &c. Class 42.

Applications for Registration of Trade Marks.

Patent Office,
Wellington, 14th July, 1909.

APPLICATIONS for registration of the following Trade Marks have been received. Notice of opposition to the registration of any of these applications may be lodged at this office within two months of the date of this *Gazette*. Such notice must be in duplicate, and accompanied by a fee of £1.

No. of application: 7991.
Date: 20th May, 1909.

TRADE MARK.
The word
"HERCULES."

NAME.

CANADA CYCLE AND MOTOR COMPANY, LIMITED, of Toronto,
in the Dominion of Canada.

No. of class: 22.
Description of goods: Bicycles.

No. of application: 8042.
Date: 16th June, 1909.

TRADE MARK.



DUSTOLIO.

The essential particulars of this trade mark are the distinctive device and the word "Dustolio"; and any right to the exclusive use of the letters G W is disclaimed.

NAME.

GEORGE WILLIAM BENNETT, of 148 Hereford Street, Christchurch, in the Dominion of New Zealand, Manufacturers' Agent.

No. of class: 2.
Description of goods: All goods included in this class.

[NOTE.—Class 2 is for "Chemical substances used for agricultural, horticultural, veterinary, and sanitary purposes—such as artificial manure, cattle-medicines, deodorisers, vermin-destroyers."]

No. of application: 8053.
Date: 19th June, 1909.

TRADE MARK.
The word
"DYSPEPTICA."

NAME.

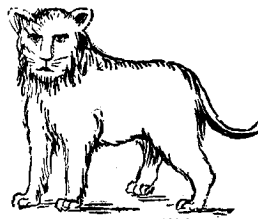
A. WALLER AND Co., of Auckland, in the Dominion of New Zealand.

No. of class: 3.
Description of goods: Medicines.

No. of application: 8055.
Date: 21st June, 1909.

TRADE MARK.

THE LION CUB BRAND



REGISTERED TRADE MARK
HASTINGS-HAWKES-BAY
NEW ZEALAND.

The essential particulars of this trade mark are the words "Lion Cub" and the device of a cub; and any right to the exclusive use of the added matter is disclaimed.

NAME.

THE HAWKE'S BAY MEAT CURING COMPANY, LIMITED, of Hastings, in the Dominion of New Zealand.

No. of class: 42.
Description of goods: Meat in all forms—fresh, corned, and tinned; shredded suet and prepared fats, such as oleo, margarine, &c.

No. of application: 8075.
Date: 24th June, 1909.

TRADE MARK.

VON HÖVELING'S COMPOSITIONS.



TRADE MARK.

The essential particular of this trade mark is the device; and any right to the exclusive use of the added matter is disclaimed.

NAME.

THE BRITISH ANTI-FOULING COMPOSITION AND PAINT COMPANY, LIMITED, of 23 Billiter Street, London E.C., England, Composition-paint Manufacturers.

No. of class: 1.
Description of goods: Anti-fouling compositions, for ships' bottoms, buoys, and submerged structures; and anti-corrosive compositions, for iron, steel, and other purposes.

No. of application: 8078.
Date: 29th June, 1909.

TRADE MARK.
The word
"OVALTINE."

NAME.

ALBERT WANDER, Ph.D., of 1 and 3 Leonard Street, City Road, London E.C., England, Manufacturing Chemist.

No. of class: 42.
Description of goods: Substances used as food, or as ingredients in food.

No. of application: 8079.
Date: 29th June, 1909.

TRADE MARK.



NAME.

THE BOWSFIELD STEEL COMPANY, LIMITED, of Bowesfield Steel Works, Stockton-on-Tees, in the County of Durham, and 110 Cannon Street, London, England, Manufacturers.

No. of class: 5.
Description of goods: Black and galvanised steel sheets.

No. of application: 8080.
Date: 29th June, 1909.

TRADE MARK.



NAME.

THE BOWSFIELD STEEL COMPANY, LIMITED, of Bowesfield Steel Works, Stockton-on-Tees, in the County of Durham, and 110 Cannon Street, London, England, Manufacturers.

No. of class: 5.
Description of goods: Black and galvanised steel sheets.

No. of application: 8081.
Date: 29th June, 1909.

TRADE MARK.



NAME.

THE BOWSFIELD STEEL COMPANY, LIMITED, of Bowesfield Steel Works, Stockton-on-Tees, in the County of Durham, and 110 Cannon Street, London, England, Manufacturers.

No. of class: 5.
Description of goods: Black and galvanised steel sheets.

No. of application: 8083.
Date: 30th June, 1909.

TRADE MARK.

The word

“CHALLENGE.”

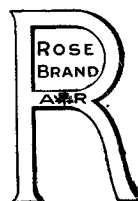
NAME.

WRIGHT, STEPHENSON, AND Co., LIMITED, of High Street, Dunedin, and elsewhere in the Dominion of New Zealand.

No. of class: 42.
Description of goods: Butter and cheese.

No. of application: 8085.
Date: 1st July, 1909.

TRADE MARK.



The essential particulars of this trade mark are the following—(1) the combination of devices, (2) the word “Rose”; and any right to the exclusive use of the added matter is disclaimed.

NAME.

ADOLPHE ROSENTHAL AND Co., LIMITED, of 30 London Wall, London E.C., England, Manufacturers.

No. of class: 38.
Description of goods: Corsets, blouses, skirts, blouses, robes, and other ladies' clothing.

No. of application: 8086.
Date: 2nd July, 1909.

TRADE MARK.

The words

“WHITE CUBS.”

NAME.

FERNAND LEVIC, trading as “Frossard, Levic, and Co.,” at 100 Clarence Street, Sydney, in the State of New South Wales, Commonwealth of Australia, Merchant.

No. of class: 45.
Description of goods: Tobacco, cigars, and cigarettes.

No. of application: 8087.
Date: 2nd July, 1909.

TRADE MARK.

The words

“BULL DOG.”

NAME.

FERNAND LEVIC, trading as “Frossard, Levic, and Co.,” at 100 Clarence Street, Sydney, in the State of New South Wales, Commonwealth of Australia, Merchant.

No. of class: 45.
Description of goods: Tobacco, cigars, and cigarettes.

No. of application: 8088.

Date: 2nd July, 1909.

TRADE MARK.
The words
"BLUE & SCARLET."

NAME.

FERNAND LEVIC, trading as "Frossard, Levic, and Co.,"
at 100 Clarence Street, Sydney, in the State of New South
Wales, Commonwealth of Australia, Merchant.

No. of class: 45.

Description of goods: Tobacco, cigars, and cigarettes.

No. of application: 8090.

Date: 3rd July, 1909.

TRADE MARK
The word
"RECLINIC."

NAME.

THOMAS BARTON, of Hamilton, Waikato, in the Dominion
of New Zealand, House-furnisher.

No. of class: 41.

Description of goods: Easy-chairs.

J. C. LEWIS,
Registrar.

Trade Marks registered.

LIST of Trade Marks registered from the 26th June to
the 9th July, 1909, inclusive:—
No. 6231/7908.—Needham, Niven, and Co., Limited.
Class 47. (*Gazette* No. 30, of the 8th April, 1909.)
No. 6232/7509.—Kayser, Ellison, and Co., Limited. Class
13. (*Gazette* No. 7, of the 28th January, 1909.)
No. 6233/7845.—Cathie and Sons. Class 38. (*Gazette*
No. 21, of the 11th March, 1909.)
No. 6234/7296.—Cookson and Co., Limited. Class 1.
(*Gazette* No. 79, of the 15th October, 1908.)
No. 6235/7679.—Société d'Hygiène le Negri-pipoz. Class
50. (*Gazette* No. 24, of the 25th March, 1909.)
No. 6236/7805.—Great Northern Brewery, Limited. Class
44. (*Gazette* No. 34, of the 22nd April, 1909.)
No. 6237/7923.—Bowers Rubber Works. Class 50.
(*Gazette* No. 34, of the 22nd April, 1909.)
No. 6238/7924.—Risiccol Limited. Class 3. (*Gazette*
No. 34, of the 22nd April, 1909.)
No. 6239/7944.—C. A. Hamlin. Class 39. (*Gazette* No. 34,
of the 22nd April, 1909.)
No. 6240/7524.—Warnock Bros. Class 47. (*Gazette* No. 69,
of the 3rd September, 1908.)

Subsequent Proprietors of Trade Marks registered.

[NOTE.—The name of the former proprietor is given in
brackets; the date is that of registration.]

No. 1573/1292 and 2605/2039.—William Childs Beetham,
trading as "M. Beetham and Son," of 2 Imperial
Lane, Cheltenham, England, Chemist and Druggist. [M.
Beetham and Son.] 1st July, 1909.

No. 1574/1293.—The New Rapid Cycle Company, Limited,
of 52 Pope Street and Icknield Street, Birmingham, Eng-
land, Cycle-manufacturers. [St. George's Engineering Com-
pany, Limited.] 9th July, 1909.

No. 2734/2167.—Vinolla Company, Limited, of 41A Upper
Thames Street, in the City of London, England, a company
incorporated under the laws of the United Kingdom.
[Durant and Co.] 9th July, 1909.

No. 3317/2602.—Moore Eady and Murcott Goode,
Limited, whose registered office is at 89 Granby Street,
Leicester, England. [Moore Eady and Co.] 1st July, 1909.

No. 5678/4478.—Aktiengesellschaft Hommel's Haema-
togen, of 22 Josephstrasse, Zurich, Switzerland, Manufac-
turers. [Nicolay and Co.] 9th July, 1909.

Trade Mark Renewal Fee paid.

THE fee paid for the renewal of the undermentioned Trade
Mark for fourteen years from the date first men-
tioned:—

No. 1573/1292.—27th November, 1909.—M. Beetham and
Son, Cheltenham, England. Class 48. 29th June, 1909.

Applications for Trade Marks opposed.

NOTICE of opposition has been filed in the following
cases:—

Nos. 7784 and 7785.—Pearson's Antiseptic Company,
Limited. (Opposed by Schulke and Mayr.)

Applications for Trade Marks abandoned or refused.

LIST of applications for registration of Trade Marks
abandoned or refused from the 20th May to the 13th
July, 1909, inclusive:—

Nos. 7099, 7102, 7104, 7106, 7107, 7108.—15th January,
1908.—Godfrey Phillips and Sons, of London, Eng. Class 45.

No. 7254.—4th April, 1908.—Bond and Bell, of Auckland,
N.Z. Class 42.

No. 7282.—21st April, 1908.—W. F. Jamieson, of Auckland,
N.Z. Class 45.

No. 7286.—29th April, 1908.—H. Berry and Co., of Christ-
church, N.Z. Class 42.

No. 7290.—29th April, 1908.—A. Archer and F. F. Powell,
of Wellington, N.Z. Class 48.

No. 7330.—20th May, 1908.—Hayman and Co., of London,
Eng. Class 45.

No. 7344.—27th May, 1908.—Zealandia Soap and Candle
Company, Limited, of Woolston, N.Z. Class 47.

No. 7397.—13th May, 1908.—H. B. Simms, of Hamburg,
Ger. Class 9.

Nos. 7408 and 7409.—25th June, 1908.—Sargood, Son, and
Ewen, of Auckland, N.Z. Class 35.

No. 7649.—4th November, 1908.—Commonwealth Oil
Corporation, Limited, of Sydney, N.S.W. Class 47.

Trade Marks removed from the Register.

TRADE Marks removed from the Register owing to the
non-payment of the renewal fee, from the 26th June
to the 10th July, 1909, inclusive:—

No. 1417/1092.—1st April, 1895.—Scarborough, Nephew,
and Co., of Halifax, England. Class 34.

No. 1418/1121.—1st April, 1895.—C. W. Randall, of San
Francisco, U.S.A., and London, England. Class 48.

Alphabetical List of Applicants for Letters Patent for Quarter ending 30th June, 1909.

THIS list includes also (1) applications lodged prior to but gazetted during the quarter, (2) complete specifications following provisional specifications accepted or gazetted during the quarter. Where the number and date of the Gazette are omitted, the application has not yet been accepted.

* Denotes a provisional specification. † Denotes a prior date under the International and Intercolonial Arrangements.

Name, Address, and Invention.	Application.		Gazette.	
	No.	Date.	No.	Date.
Agnew, J. S., Dunedin, N.Z. Tea-strainer	26031	2 June ..	59	15 July.*
Akhurst, H., Riverton, N.Z. Brush	25974	11 May ..	51	17 June.
Albihn, H. F., and another, Stockholm, Sweden. (See Mjolkningsmaskin Aktiebolaget, No. 25751.)				
Alcock and Co. Proprietary, Limited, Melbourne, Vic. Timber-drying process. (A. U. Alcock)	25831	14 April ..	38	6 May.*
Alcock, A. U., Melbourne, Vic. (See Alcock and Co. Proprietary, Limited, No. 25831.)				
Alexander, L. W., and another, Auckland, N.Z. Non-refillable bottle	26102	17 June ..	59	15 July.*
Allan, F. M., Dunedin, N.Z. Rotary cement-kiln.. .. .	26066	11 June ..	59	15 July.*
Allen, J. B., Auckland, N.Z. Fire-lighter	26024	4 June
Amies, J. H., Philadelphia, U.S.A. Paving-composition	26018	1 June
Andersen, P. J., Poukawa, N.Z. Opening and closing gates	26082	16 June
Anderson, A., and another, St. Kilda, Vic. Manufacture of jute bagging	25938	12 May
Anderson, A., Albion, Q. Deodorant-distributor.. .. .	26059	2 Mar.†
Andrew, G. E., and another, Ormond, Vic. Can-jointing material	25936	12 May
Andrews, F. H., and another, Wellington, N.Z. Producing geometrical figures, &c.	25932	11 May ..	51	17 June.
Anglim, K., Sydney, N.S.W. Lid of teapot, &c.	25943	12 May ..	55	1 July.*
Angus, A. R., Neutral Bay, N.S.W. Preventing collisions between railway-trains	25884	8 May, 1908†	51	17 June.
Angus, W., Christchurch, N.Z. Valve of hydraulic ram	26104	21 June
Arnaboldi, J., Auckland, N.Z. Soldering-bolt	26089	15 June
Arthur, J., jun., Invercargill, N.Z. Elevator and conveyor	24719	21 July, 1908..	55	1 July.
Arthur, J., jun., Invercargill, N.Z. Elevator and conveyor	25862	22 April ..	55	1 July.*
Ashton, H. M., and another, Coburg, Vic. Instrument for skinning carcasses, &c.	26071	11 June ..	59	15 July.
Askew, C. B., Chicago, U.S.A. Dredge	25722	20 Mar. ..	38	6 May.
Bailey, C. J., Otaua, N.Z. Hatpin-point protector	25859	22 April
Baird, A. C., Waikino, N.Z. Oil and gas engine	25895	27 April ..	45	4 June.*
Baird, J., Ardmore, N.Z. Earth-closet	25996	28 May ..	59	15 July.
Baldwin, E. S., Wellington, N.Z. Roller-bearings. (S. Kaye)	25939	12 May ..	45	4 June.
Ballinger, T., and Co., Wellington, N.Z. Acetylene-gas generator. (A. Fischer)	26037	7 June
Bancroft, J. S., and another, Philadelphia, U.S.A. (See Monotype Machine (Colonial Patents) Syndicate, Limited, No. 25890.)				
Barnard, C. C. E., Auckland, N.Z. Flying-machine	25860	21 April ..	41	20 May.*
Barnard, T., Richmond, Vic. Cycle pedal-clip, &c.	24664	14 July, 1908..	38	6 May.
Barnes, J. B. M., Wellington, N.Z. Testing temperature of baled goods. (H. S. Harrod)	25930	11 May ..	51	17 June.
Barta, H., and another, London, Eng. Typesetting-machine	26003	1 June
Bassett, W., Christchurch, N.Z. Teat-cup	26072	14 June
Bates, A., Leicester, Eng. (See United Shoe Machinery Company, Nos. 26007 and 26119.)				
Bates, J. W., Hastings, N.Z. Account-book	25956	19 May
Bavay. (See De Bavay.)				
Baylis, G. H., and another, Wellington, N.Z. Advertising-fan	23890	4 Jan., 1908..	34	22 April.
Beamish, J. H., Auckland, N.Z. Ventilating buildings	26127	22 June
Beamish, W., Hastings, N.Z. Regulating stop-cocks	25967	19 May ..	59	15 July.*
Beamish, W., Hastings, N.Z. Cigar-mouthpiece	26067	11 June ..	59	15 July.
Beattie, R., and another, Christchurch, N.Z. Snow-board	25929	11 May ..	51	17 June.*
Beckman, A. G., Baltimore, U.S.A. Fluid-pressure regulator	25898	30 April ..	51	17 June.
Bedford, A. J., Melbourne, Vic. Lighting pilot-light and extinguishing street-lamps	25513	15 April, 1908†	30	8 April.
Bedford, A. J., Melbourne, Vic. Lighting and extinguishing street-lamps and pilot-light	25514	15 Oct., 1908†	30	8 April.
Bedford, A. J., and another, Northcote, Vic. Fencing-dropper	25883	29 July, 1908†	45	4 June.
Bell, W. H., Palmerston North, N.Z. Gas-flasher	25864	26 April ..	41	20 May.*
Bennett, G. A., and another, Goodmayes, Eng. Pneumatic tire	25369	22 Dec., 1908..	38	6 May.
Bennett, T. O., Marrickville, N.S.W. Machine sheep-shears	25806	8 April ..	34	22 April.*
Berg, E., and another, Queen Charlotte Sound, N.Z. Beer-register	26157	30 June
Berg, W., and another, Queen Charlotte Sound, N.Z. Beer-register.. .. .	26157	30 June
Bernardi, F., and another, Mokelumne Hill, U.S.A. Electric fuse-spitter	25792	3 April ..	41	20 May.
Berry, H., Clementston, Vic. Suction-gas-plant	24497	6 June, 1908..	45	4 June.
Bert, A. J., Sydney, N.S.W. Advertising-method. (C. J. Bert)	25767	31 Mar. ..	51	17 June.*
Bert, C. J. (See A. J. Bert, No. 25767.)				
Betty, J., Masterton, N.Z. Curtain-pole lifter	25879	27 April ..	45	4 June.*
Beveridge, A., Christchurch, N.Z. Furnace-door	25835	15 April ..	41	20 May.*
Billington, J. E., and another, Broadheath, Eng. (See J. T. Hunter, No. 25976.)				
Bitossi, P., Wellington, N.Z. Blotting-pad composition	25837	15 April ..	38	6 May.*
Blake, J., Otakeho, N.Z. Milking-machine pulsator	24488	4 June, 1908	34	22 April.
Blake, J., Otakeho, N.Z. Milking-machine teat-cup	25714	19 Mar. ..	41	20 May.
Blakoe, R., Glasgow, Scot. Muscle-developer	25787	6 April ..	41	20 May.
Bleeck, W. A. F., Brisbane, Q. Primary battery	26079	16 June
Blockley, J. J., Palmerston North, N.Z. Ventilator, &c.	25945	13 May

ALPHABETICAL LIST OF APPLICANTS FOR LETTERS PATENT—*continued.*

Name, Address, and Invention.	Application.		Gazette.	
	No.	Date.	No.	Date.
Blum, J., and another, Brussels, Belgium. Manufacture of artificial Para rubber	26112	23 June
Blythe, H., and another, Wanganui, N.Z. Ointment	24387	12 May, 1908..	45	4 June.
Bond, A. J., Auckland, N.Z. Barrow-wheel	26137	24 June
Bond, W. A., Lynnfield, U.S.A. (See United Shoe Machinery Company, No. 26008.)				
Bone, C. S., and another, Hastings, N.Z. Acetylene-generator ..	24677	17 July, 1908..	51	17 June.
Booth, Q. W., Rochester, U.S.A. Leather-skiving machine. (L. W. G. Flynt)	25771	1 April ..	34	22 April.*
Bowen, R., Cheltenham, Eng. Concrete apparatus	25663	12 Mar., 1908†	51	17 June.
Bowman, W. J., and another, Christchurch, N.Z. Sharpening knives of chaff-cutters	26049	9 June ..	59	15 July.*
Boyens, W. D., and another, Pahiataua, N.Z. Hose, &c., coupling ..	25858	22 April ..	41	20 May.*
Bracken, T., Masterton, N.Z. Table	26167	30 June
Bredehorst, O., Wellington, N.Z. Animal-cover	26035	7 June
Bredehorst, O., Wellington, N.Z. Spring-cart	26155	29 June
Brett Printing and Publishing Company, Limited, Auckland, N.Z. Numbering mechanism for printing-machines. (J. de B. Galwey and E. Schreier)	25733	23 Mar. ..	45	4 June.
British Westinghouse Electric and Manufacturing Company, Limited, Westminster, Eng. Electric braking. (P. S. Turner)	25788	6 April ..	41	20 May.
Broadbent, H., Dunedin, N.Z. Folding-chair	25342	14 Dec., 1908..	51	17 June.
Brookes, J., Invercargill, N.Z. Knife-cleaner	25915	4 May ..	41	20 May.*
Brookes, J., and another, Invercargill, N.Z. Score-indicator ..	26015	2 June ..	59	15 July.*
Brosnahan, C., Wellington, N.Z. Footwear	25844	20 April ..	38	6 May.*
Brown, G., and another, Auckland, N.Z. Persian lolly	25963	19 May
Brown, H., Wellington, N.Z. Broom and brush rack	26056	10 June
Brown, T. F., Coburg, Vic. Chair	25757	30 Mar. ..	38	6 May.*
Brown, T. F., Coburg, Vic. Metal framework for furniture ..	25981	27 May ..	55	1 July.*
Browne, E. H., Clevedon, N.Z. Wire-strainer	25925	11 May ..	45	4 June.*
Browne, M. A., Christchurch, N.Z. Clothes-peg	25916	5 May ..	45	4 June.*
Brownlee, J. W., Havelock, N.Z. Feed-gear for saw-bench ..	26025	4 June
Buckridge, G. H., Christchurch, N.Z. Sanitary pillow-slip ..	25789	6 April ..	38	6 May.*
Burdett-Stuart, F. A., Chertsey, N.Z. Drawing board and protractor	25795	7 April ..	45	4 June.
Burges, A., and others, Palmerston North, N.Z. Flax-treatment ..	25094	20 Oct., 1908..	30	8 April.
Burges, A., and others, Palmerston North, N.Z. Flax-scutching machine	25095	20 Oct., 1908..	30	8 April.
Burges, A., and others, Palmerston North, N.Z. Flax-treating apparatus	25096	20 Oct., 1908..	30	8 April.
Burges, A., and others, Palmerston North, N.Z. Flax-treating machinery	25871	27 April ..	45	4 June.*
Burton, J., Owaka, N.Z. Hair-cream	25633	1 Mar. ..	41	20 May.*
Busell, J. N., Boston, U.S.A. (See United Shoe Machinery Company, No. 26121.)				
Cameron, A. A. W., Christchurch, N.Z. Cover for milk-can ..	25834	14 April ..	38	6 May.*
Campbell, A., Sutton, N.Z. Operating hydraulic nozzles	26133	21 June
Carpenter, A. W., London, Eng. Tire	26040	16 Feb.†
Carpenter, A. W., and another, London, Eng. Manufacture of artificial Para rubber	26112	23 June
Carruthers, R., Levin, N.Z. Milk-can	25921	8 May ..	51	17 June.*
Casgrain, L. A., and another, Beverly, U.S.A. (See United Shoe Machinery Company, No. 26009.)				
Cavanagh, J., jun., and another, Boston, U.S.A. (See United Shoe Machinery Company, No. 25772.)				
Chaffey, H. F., Christchurch, N.Z. Kettle	26161	29 June
Chalmers, D. R., Papakaia, N.Z. Swingletree	26041	8 June
Chalmers, W., Owaka, N.Z. Force-feed lubricator	23982	4 Feb., 1908..	38	6 May.
Chamberlain, W. E., and another, Feilding, N.Z. Sealing mail-bags, &c.	26022	4 June
Chilton, E. J., Masterton, N.Z. Hauling venetian blinds	26094	15 June ..	59	15 July.*
Christensen, M. W., and others, Cardiff, N.Z. Water-raising apparatus	25807	8 April ..	41	20 May.
Christie, N. C., and another, Invercargill, N.Z. Railway air-brake ..	24753	30 July, 1908..	55	1 July.
Christie, N. C., and another, Invercargill, N.Z. Electric signalling-apparatus for railway air-brake system	26129	22 June ..	59	15 July.*
Clark, E., Northcote, Vic. Repairing pneumatic tires	25856	14 Aug., 1908†	45	4 June.
Clark, J. M., Attleboro, U.S.A. Firearm attachment	25942	12 May ..	55	1 July.
Clark, W., Juneo, N.S.W. Exchangers in tablet system of railway traffic	25796	7 April ..	41	20 May.
Clayton, C. W., Wanganui, N.Z. Insole	25970	25 May
Clayton, C. W., Wanganui, N.Z. Insole	26000	31 May
Clayton, C. W., Wanganui, N.Z. Bed	26073	15 June
Clayton, C. W., Wanganui, N.Z. Rubber heel	26139	28 June
Clayton, M., and another, Buckland, N.Z. Cooler and aerator ..	25260	13 Mar. ..	30	8 April.*
Coates, O., Christchurch, N.Z. Aerial machine	25857	21 April ..	41	20 May.*
Coates, O., Christchurch, N.Z. Aerial machine	25891	27 April ..	45	4 June.*
Coleman, J. V., San Francisco, U.S.A. Recovering metals, &c., from streams	26140	25 June ..	59	15 July.*
Coles, G. A., and another, Auckland, N.Z. Utilising waste animal substances	26172	29 June
Coles, G. A., and another, Auckland, N.Z. Utilising waste leather substances	26173	29 June
Collier, M. S., Auckland, N.Z. Measuring-funnel	25719	19 Mar. ..	38	6 May.*
Collings, C. T., and another, Napier, N.Z. Soldering-iron and brazer	25850	21 April ..	45	4 June.*
Collings, W. F., and another, Napier, N.Z. Soldering-iron and brazer	25850	21 April ..	45	4 June.*
Collins, C. G., Woodmere, U.S.A. (See C. A. Stevens, No. 25874.)				

ALPHABETICAL LIST OF APPLICANTS FOR LETTERS PATENT—*continued.*

Name, Address, and Invention.	Application.		Gazette.	
	No.	Date.	No.	Date.
Collins, J., Dunedin, N.Z. Casting metal-heads to nails	25969	22 May ..	55	1 July.
Collins, J. M., and others, Palmerston North, N.Z. Flax-treatment ..	25094	20 Oct., 1908..	30	8 April.
Collins, J. M., and others, Palmerston North, N.Z. Flax-scutching machine	25095	20 Oct., 1908..	30	8 April.
Collins, J. M., and others, Palmerston North, N.Z. Flax-treating apparatus	25096	20 Oct., 1908..	30	8 April.
Collins, J. M., and others, Palmerston North, N.Z. Flax-treating machinery	25871	27 April ..	45	4 June.*
Colwill, J., and another, Timaru, N.Z. Sound-proof box for telephone	26083	16 June
Colwill, W. H., and another, Plymouth, Eng. Sound-proof box for telephone	26083	16 June
Cometti, A., and another, Wellington, N.Z. Motor-car, &c., wheel ..	26128	24 June
Comport, W. C., Rimu, N.Z. Cross-cut saw	25982	27 May ..	55	1 July.*
Cook, W. R., and another, Carterton, N.Z. Fire-grate	26138	28 June
Cooper, F. A., Auckland, N.Z. Acetylene generator	26093	17 June
Corrick, H., Wellington, N.Z. Bicycle and motor-car seats, &c. ..	25973	26 May ..	55	1 July.*
Costello, A., Dargaville, N.Z. Line for surf, &c., fishing	25675	10 Mar. ..	38	6 May.*
Cotton, F., Hornsby, N.S.W. Fuel-burning for heating furnaces, &c.	26013	9 June, 1908†	59	15 July.
Cottrell, H. L., and another, Invercargill, N.Z. Score-indicator ..	26015	2 June ..	59	15 July.*
Cowdery, G., Burwood, N.S.W. Rail-joint	25854	26 June, 1908†	45	4 June.
Cranwell, A. H., Auckland, N.Z. Dust-preventer for trams, &c. ..	25949	11 May ..	55	1 July.*
Cranwell, A. H., Auckland, N.Z. Dust-preventer for trams, &c. ..	25950	11 May ..	55	1 July.*
Craw, G., Linton, N.Z. Treating flax, &c.	26027	5 June ..	55	1 July.*
Croix. (See du Homme de Sainte Croix.)				
Crombie, A. L. E., Cobar, N.S.W. Mechanical music-teacher	25804	7 April ..	45	4 June.
Croucher, F. H., and another, Feilding, N.Z. Sealing mail-bags, &c.	26022	4 June
Croxford, G., and another, Christchurch, N.Z. Snow-board	25929	11 May ..	51	17 June.*
Cullen, G. J., Eltham, N.Z. Gate or door hinge	25923	8 May ..	51	17 June.*
Daily, J. J., Christchurch, N.Z. Saddle-cover for cycles, &c. ..	25257	19 Nov., 1908	34	22 April.
Dalziel, W., Blenheim, N.Z. Hay-press	25712	19 Mar. ..	55	1 July.
Dando, F., Beaconsfield, Tas. Game of skill	24713	23 July, 1908	30	8 April.
Daniel, T., and another, Sydney, N.S.W. Discovering punctures in tires	25815	13 April ..	41	20 May.*
Davies, J. R., Wellington, N.Z. Gas	25828	14 April ..	45	4 June.*
Davies, J. R., and another, Wellington, N.Z. Gas-making machine ..	25914	6 May ..	45	4 June.*
Davis, J. W., and another, Wellington, N.Z. Lifeboat	25847	20 April ..	38	6 May.*
Davis, W. L., and another, Sydney, N.S.W. Non-refillable bottle ..	25808	8 April ..	41	20 May.*
Davison, F., Caulfield, Vic. Fly-proof window-screen	25607	26 Feb. ..	41	20 May.
Dawson, B. F. H., Camperdown, N.S.W. Acetylene-gas generator ..	25816	13 April
Day, A. E. W., and others, St. Albans, Eng. Hat	26150	29 June
Day, A. J., Christchurch, N.Z. Cinder-sifter	25723	23 Mar. ..	51	17 June.
De Bavay, A. J. F., Kew, Vic. Tire	25903	4 May
Deck, E. J., Waihi, N.Z. Legging	25922	8 May ..	51	17 June.
De Sainte Croix. (See du Homme de Sainte Croix.)				
Desmoulins, H. P., Dunedin, N.Z. (See N.Z. Acetylene-gas Lighting Company, Limited, No. 26103.)				
Dodwell, M. G. C., Wellington, N.Z. Tire	26060	11 June
Doherty, P. H., and another, Avon, U.S.A. (See United Shoe Machinery Company, No. 25772.)				
Donaghy, M., and Sons Proprietary, Limited, Geelong, Vic. Removal of lumps, &c., from binder-twine. (W. Jose)	25731	24 Mar. ..	45	4 June.
Douglas, A. R., Christchurch, N.Z. Dust and draught excluder for doors	26147	26 June
Douglas, J., jun., and another, Waverley, N.S.W. Dressing retainer and shield for knees of horses	25941	12 May ..	55	1 July.
Dowd, J. M., Putaruru, N.Z. Plough	24165	24 Mar., 1908..	30	8 April.
Downing, H. W., Christchurch, N.Z. Saddletree	25559	15 Feb. ..	45	4 June.
Droutledge, H., Auckland, N.Z. Teat-cup	26047	7 June
Dudley, C. F., and others, Bellevue, U.S.A. (See O. A. Miller Treeing Machine Company, No. 26048.)				
Duggan, W., jun., Dunedin, N.Z. Closing doors and gates	26174	29 June
Du Homme de Sainte Croix, X. C. A., Johannesburg, Trans. Safety-device for conveyors, &c.	25649	3 Mar. ..	41	20 May.
Duncan, W., and another, Lower Hutt, N.Z. Window-sash hanger	25878	27 April ..	45	4 June.*
Dunlop, G. H., Auburn, Vic. Excavating machinery	26078	16 June
Dunphy, A. L., London, Eng. Inverted incandescent gas-burner ..	25972	26 May
Durham, T. C., New York, U.S.A. Razor	25873	27 April ..	45	4 June.
Dwyer, L., and others, Perth, W.A. Steel-fibre concrete	25911	5 May ..	59	15 July.
Edgar, D. H., Timaru, N.Z. Saddle cloth and protector	26028	2 June ..	55	1 July.*
Edlin, T. W., Christchurch, N.Z. Bicycle-brake	25791	6 April ..	38	6 Mar.
Edmond, A., Dunedin, N.Z. Cleaning instrument	25619	25 Feb. ..	45	4 June.
Edwards, A. H., and another, London, Eng. Aeroplane	26012	1 June
Engel, K., Arlington Heights, U.S.A. (See United Shoe Machinery Company, No. 26010.)				
Ephraim, J. E., Sydney, N.S.W. Earth-closet	25935	12 May ..	59	15 July.
Esping, H. P. W., Nassjo, Sweden. Raising liquids	26061	9 June
Falkner, A., Kaiparoro, N.Z. Lifting-jack	26169	30 June
Fell, A. G., and another, Wellington, N.Z. Trolley-pole	26156	30 June
Fenton, H., Glebe Point, N.S.W. Boot, &c., heel	25977	26 May ..	51	17 June.
Ffrost, J. E., and others, Wellington, N.Z. Counter invoice ..	26158	30 June
Filteau, V., Montreal, Canada. (See Victor Automatic Carriers, Limited, No. 25533.)				
Firth, T., Wellington, N.Z. Window-locking device	25880	27 April ..	59	15 July.

ALPHABETICAL LIST OF APPLICANTS FOR LETTERS PATENT—continued.

Name, Address, and Invention.	Application.		Gazette.	
	No.	Date.	No.	Date.
Fischer, A., Adelaide, S. Aust. (See T. Ballinger and Co., No. 26037.)				
Fisher, H., Wellington, N.Z. Ventilating-device	25809	8 April ..	38	6 May.*
Fisher, H., and another, Wellington, N.Z. Lifeboat	25847	20 April ..	38	6 May.*
Fisher, J., Moonee Ponds, Vic. Securing cap within pressed bale of wool	25399	30 Dec., 1908 ..	30	8 April.
Fitzpatrick, E., Ngaruawahia, N.Z. Noxious-weed root-collector ..	25869	23 April ..	45	4 June.*
Flynt, L. W. G., Rochester, U.S.A. (See Q. W. Booth, No. 25771.)				
Foord, E. G. M., Dunedin, N.Z. Water-power	25995	29 May ..	59	15 July.*
Forgie, U. A., and others, Wellington, N.Z. Motor-tire cover	25814	8 April ..	41	20 May.*
Forni Elettrici Stassano Societa Anonima, Turin, Italy. Electric-fur-	25698	18 Mar. ..	38	6 May.
nace. (E. Stassano)				
Forrest, H., and another, Forrester, N.S.W. Non-refillable bottle ..	25808	8 April ..	41	20 May.
Foye, C. D., Beverly, U.S.A. (See United Shoe Machinery Company,				
No. 26120.)				
Fraser, J., and others, Auckland, N.Z. Vessel's-course recorder	26065	12 June ..	59	15 July.*
Fraser, S. E., and others, Waikino, N.Z. Vessel's-course recorder	26065	12 June ..	59	15 July.*
Frederic, J. W. H., and others, Stratford, N.Z. Water-raising apparatus	25807	8 April ..	41	20 May.
Freeman, W. H., Auckland, N.Z. Rope-protector	26099	19 June
French, R. A., Dunedin, N.Z. Lowering lifeboats	25819	7 April
Friderichsen, N. S., Copenhagen, Den. Machine for casting lead	25781	31 Mar. ..	38	6 May.
seals, &c.				
Fryer, B. A., Auckland, N.Z. Rubber and leather sole attachment ..	25881	23 April ..	41	20 May.*
Galwey, J. de B., and another, Dublin, Ireland. (See Brett Printing				
and Publishing Company, Limited, No. 25733.)				
Gamman, G. A., Ohakune, N.Z. Drying timber	25999	31 May ..	55	1 July.*
Gane, C. E., Normanby, N.Z. Releasing milk from vacuum for milking-	24886	4 Sept., 1908	51	17 June.
machine				
Garey, W. E., Auckland, N.Z. Electric switch	25756	27 Mar. ..	45	4 June.*
Gates, G., San Jose, U.S.A. Railway-rail support and fastener	25885	28 April
Geddes, F. G., and another, Waverley, N.S.W. Dressing retainer and	25941	12 May ..	55	1 July.
shield for knees of horses				
Gibbs, F. G., and another, Halswell, N.Z. Sharpening knives of chaff-	26049	9 June ..	59	15 July.*
cutters				
Gillman, T. H., and another, Hawera, N.Z. Air-exhauster or vacuum	25840	14 April ..	45	4 June.
pump				
Gilmour, J., Gisborne, N.Z. Railway-buffer	25952	15 May
Glendinning, T. A., and another, Auckland, N.Z. Utilising waste	26172	29 June
animal substances				
Glendinning, T. A., and another, Auckland, N.Z. Utilising waste	26173	29 June
leather substances				
Gluyas, G. R., and another, Melbourne, Vic. Vehicle-spring	26051	15 Oct., 1908†	59	15 July.
Godward, E. R., Invercargill, N.Z. Trace-fastening for whiffle-tree ..	25907	3 May ..	45	4 June.*
Gordon-Jones, J. and J., and another, Taheke, N.Z. Single-seed sowing	25752	26 Mar. ..	41	20 May.
Gordon-Jones, W. G., and others, Taheke, N.Z. Single-seed sowing ..	25752	26 Mar. ..	41	20 May.
Gore, T., and another, Pahiatua, N.Z. Hose, &c., coupling	25858	22 April ..	41	20 May.*
Goscomb, F., and others, Wellington, N.Z. Motor-tire cover	25814	8 April ..	41	20 May.*
Gough, F., Hokitika, N.Z. Perambulator foot-warmer	26088	7 June
Goulet, A. O., Auckland, N.Z. Coat and trousers hanger	25994	28 May ..	55	1 July.*
Grace, L. G., Hawera, N.Z. Aeroplane	26087	17 June
Grace, L. G., Hawera, N.Z. Water-valve for hydraulic vacuum pump	26100	21 June
Grace, L. G., and another, Hawera, N.Z. Air-exhauster or vacuum	25840	14 April ..	45	4 June.
pump				
Graham, S., Wendon, N.Z. Flax-fibre manufacture	24691	17 July, 1908 ..	55	1 July.
Graham, S., Wendon, N.Z. Railway and tramway rails	26090	15 June
Gray, H. L., San Francisco, U.S.A. (See World Mailing Case Company,				
No. 25801.)				
Green, T. L., Indianapolis, U.S.A. Biscuit-cutting machine	25798	7 April
Green, T. L., Indianapolis, U.S.A. Sheeter or bar machine	25799	7 April ..	41	20 May.
Green, T. L., Indianapolis, U.S.A. Wire-cut soft-cake machine	25800	7 April ..	41	20 May.
Greene, A., Masterton, N.Z. Stopping and steering vessels	26057	10 June
Greensill, W. J. H., Wharehunga, N.Z. Preserving-jar	26053	10 June ..	59	15 July.*
Hadaway, J. B., Brockton, U.S.A. (See United Shoe Machinery Com-				
pany, No. 24558.)				
Hagarty, D., Auckland, N.Z. Plough	26126	22 June
Haines, W. C., Wellington, N.Z. Rotary engine	26076	15 June ..	59	15 July.*
Hale, A. H., Palmerston North, N.Z. Protection of water-gauge glass	26098	19 June
on steam-boiler				
Hall, G., and another, Lepperton, N.Z. Concrete fencing-post mould	26070	11 June
Hall, J. W., and another, Auckland, N.Z. Non-refillable bottle	26102	17 June ..	59	15 July.*
Hambleton, W. P., and another, Greymouth, N.Z. Water-jacketed	25810	1 April ..	55	1 July.*
fire-box				
Hambleton, W. P., and another, Greymouth, N.Z. Dredge land-	26068	9 June ..	59	15 July.*
reclaimer				
Hamer, F., and others, Hayes, Eng. Power-transmission	26114	23 June
Hampton, W. C., Auckland, N.Z. Improving light of gas-burner	25849	19 April
Hancock, J. C., and another, Perth, W. Aust. Rubber stud and heel-	25235	18 Nov., 1908	38	6 May.
plate for boots and shoes				
Hanna, J., Invercargill, N.Z. Seed separator and cleaner	25780	31 Mar. ..	38	6 May.*
Hannam's, Limited, Sydney, N.S.W. Bath-water heater. (W. H.	25959	20 May ..	55	1 July.*
Hannam)				
Hannam, W. H., Sydney, N.S.W. (See Hannam's, Limited, No. 25959.)				
Hansen, A. H., Manaia, N.Z. Furnace-grating	26063	12 June
Hansen, J. S., and others, Brockton, U.S.A. (See O. A. Miller Treeing				
Machine Company, No. 26048.)				

ALPHABETICAL LIST OF APPLICANTS FOR LETTERS PATENT—continued.

Name, Address, and Invention.	Application.		Gazette.	
	No.	Date.	No.	Date.
Hardaker, L., Petersham, N.S.W. Road vehicle wheel	24179	20 April, 1907†	55	1 July.
Hargreaves, W. A., Woodville, S. Aust. Production of iron or steel from ore	25829	14 April
Harrington, N. T., Lansing, U.S.A. Explosion engine	25762	31 Mar. ..	38	6 May.
Harrison, J. W. M., Wellington, N.Z. Stiffening soft collar ..	26080	16 June ..	59	15 July.*
Harrod, H. S., Napier, N.Z. (See J. B. M. Barnes, No. 25930.)				
Hartley, S. J., and another, Himatangi, N.Z. Horse-coupler ..	26162	30 June
Harvey, W., Auckland, N.Z. Cheese-pressure block	25968	21 May ..	55	1 July.*
Haughton, R. S., Wellington, N.Z. Tram-rail cleaner	25893	29 April ..	45	4 June.*
Hawkins, C. A. B. P., and others, Napier, N.Z. Aeroplane	25865	26 April ..	41	20 May.*
Hay, J. C., Waikumete, N.Z. Fire-escape	25991	26 May
Hay, W., Manunui, N.Z. Flax-dressing process	25778	2 April ..	34	22 April.*
Hayter, W. J. F., Frankton, N.Z. Ironsand-treatment	25919	3 May ..	45	4 June.*
Healey, L., Leeston, N.Z. Vehicle-lifting jack	25784	5 April ..	38	6 May.*
Heaven, R., Christchurch, N.Z. Speed-alarm for motor-car ..	26109	22 June
Hele-Shaw, H. S., London, Eng. Variable-stroke fluid-machine ..	26149	29 June
Hement, T. C., Christchurch, N.Z. Ventilating-cowl	25775	31 Mar. ..	38	6 May.*
Hemming, T., Auckland, N.Z. Curtain-connector	25993	28 May ..	55	1 July.*
Henderson, H., Owaka, N.Z. Animal-cover	26141	25 June
Henderson, M., Onchunga, N.Z. Life-saving boat	25786	6 April ..	38	6 May.*
Henderson, W., and another, Invercargill, N.Z. Railway air-brake ..	24753	30 July, 1908..	55	1 July.
Henderson, W., and another, Invercargill, N.Z. Electric signalling-apparatus for railway air-brake system	26129	22 June ..	59	15 July.*
Henry, W., and another, Lower Hutt, N.Z. Window-sash hanger ..	25878	27 April ..	45	4 June.*
Herbert, A. H., and others, Eketahuna, N.Z. Water-closet flush ..	26115	23 June
Hewitt, W. H., Stratford, N.Z. Staple	25924	10 May ..	45	4 June.*
Hislop, G. R., Paisley, Scot. Fire-range, &c.	25782	31 Mar. ..	38	6 May.
Hitchcock, F., and another, Auckland, N.Z. Cooler and aerator ..	25260	13 Mar. ..	30	8 April.*
Hodgkinson, J., Pendleton, Eng. Evaporation of liquid from brine ..	25872	27 April ..	45	4 June.
Holland, C. E., and another, Kaikoura, N.Z. Shirt-collar	26036	7 June ..	59	15 July.*
Holle, A. A., Olst, Holland. Steam-engine	26011	1 June
Hollis, D. L., and others, Wellington, N.Z. Motor-tire cover	25814	8 April ..	41	20 May.*
Hollway, C. J. J. S., Henderson, N.Z. Draining-implement	26086	16 June ..	59	15 July.*
Holman, J. H., and another. (See J. M. and M. E. C. Holman, G. B. Nancarrow, and C. V. Thomas, No. 25846.)				
Holman, J. M., and others, Camborne, Eng. Stamp-mill for crushing ores. (J. M. and J. H. Holman)	25846	20 April ..	45	4 June.
Holman, M. E. C., and others, Camborne, Eng. Stamp-mill for crushing ores. (J. M. and J. H. Holman)	25846	20 April ..	45	4 June.
Holmes, C. P., Lynn, U.S.A. (See S. W. Winslow, No. 25888.)				
Homme. (See du Homme.)				
Hommel, W., and another. (See Metals Extraction Corporation, Limited, No. 25296.)				
Howard, J. R., Greatford, N.Z. Motor-vehicle speed-gear	25773	1 April ..	34	22 April.*
Hoyland, W., Wellington, N.Z. Shop-front	25779	2 April ..	38	6 May.*
Hudson, J. G., and another, Wanganui, N.Z. Railway-signalling ..	24686	18 July, 1908..	55	1 July.
Hume, A. G., and others, Wellington, N.Z. Tag-label printing and making machine	25665	9 Mar. ..	38	6 May.
Humphries, A. E., Weybridge, Eng. Flour-milling	26130	22 June
Hunter, J. T., Wellington, N.Z. Linotype production and apparatus. (Linotype and Machinery, Limited—H. Pearce and J. E. Billington)	25976	26 May ..	59	15 July.
Hunter, R. C., Christchurch, N.Z. Anti-rattler, &c., for window ..	25920	6 May
Hunter, W. E., Maungakarama, N.Z. Preventing pigs breaking through barriers	26124	24 June
Hunter-Weston, R. H., Glen-iti, N.Z. Water-closet seat	25841	19 April ..	38	6 May.*
Hurthouse, E. W., Wellington, N.Z. Lamp-pillar	25107	21 Oct., 1908..	34	22 April.*
Hustwick, R. G., and others, Cheviot, N.Z. Wheel	26058	11 June
Hutchinson, G. F., Kapuni, N.Z. Vacuum, &c., motor	24730	27 July, 1908	55	7 1/2 July.
Hutchinson, J. H., Auckland, N.Z. Planing-machine lathe-slide ..	25777	31 Mar. ..	41	20 May.
Hutchinson, J. H., Auckland, N.Z. Transporting merchandise ..	25985	26 May
Hutchinson, J. H., Auckland, N.Z. Backing pole wagons	26017	1 June
Hutchinson, J. H., Auckland, N.Z. Depositing bricks for stacking ..	26088	14 June ..	59	15 July.*
Indahl, M. C., and another, Philadelphia, U.S.A. (See Monotype Machine (Colonial Patents) Syndicate, Limited, No. 25890.)				
Inglis, H. M., Christchurch, N.Z. Cycle-lock	26123	22 June
Jackson, A. G., Waimate, N.Z. Chaff-cutter riddle	24474	2 June, 1908	41	20 May.
Jaffray, J. S., and others, Wellington, N.Z. Motor-tire cover	25814	8 April ..	41	20 May.*
Jellyman, W. A., New Plymouth, N.Z. Removing turnips, &c., from throats of cattle	24602	2 July, 1908..	38	6 May.
Jenkin, W. J., Christchurch, N.Z. Gate-hinge. (G. D. and A. P. F. Watson)	25685	12 Mar. ..	38	6 May.
Jenkins, W., and another, Millerton, N.Z. Gold-saving shaking-table	25737	25 Mar. ..	41	20 May.*
Jensen, A., California, U.S.A. Pasteurising apparatus	25561	16 Feb. ..	45	4 June.
Jensen, C. P., and another, Fitzroy, Vic. Closing and locking doors of railway-cars, &c.	26005	1 June ..	59	15 July.*
Jensen, J. D., and another, Kaikoura, N.Z. Shirt-collar	26036	7 June ..	59	15 July.*
Johnston, A., and another, Toronto, Canada. (See Massey-Harris Company, Limited, No. 25997.)				
Jolly, W. L., Arrow Junction, N.Z. Pneumatic sole for footwear ..	24500	4 June, 1908	30	8 April.
Jones, E. F., Wellington, N.Z. Safety-guard for tram trolley-wheels..	25790	6 April ..	41	20 May.*
Jones, E. F., and another, Wellington, N.Z. Trolley-pole	26156	30 June
Jones, G., and another, Birchfield, N.Z. Gold-saving shaking-table ..	25737	25 Mar. ..	41	20 May.*
Jones. (See Gordon-Jones, Melvin-Jones.)				

ALPHABETICAL LIST OF APPLICANTS FOR LETTERS PATENT—*continued.*

Name, Address, and Invention.	Application.		Gazette.	
	No.	Date.	No.	Date.
Jones, T. D., and another, Sydney, N.S.W. Counter-advertising cabinet. (J. R. Henderson)	25473	21 Jan. ..	30	8 April.
Jose, W., Geelong, Vic. (See M. Donaghy and Sons Proprietary, Limited, No. 25731.)				
Jumeaux, C., and others, Auckland, N.Z. Vessel's-course recorder ..	26065	12 June ..	59	15 July.*
Kannuluik, J., Melbourne, Vic. Closet-ventilator ..	25211	12 Nov., 1908	51	17 June.
Kay, D., Mataka, N.Z. Holding bags on bag-ring of chaff-cutter ..	26136	24 June
Kaye, S., Columbus, U.S.A. (See E. S. Baldwin, No. 25939.)				
Keayes, P., Westport, N.Z. Pencil-clip ..	26021	4 June ..	59	15 July.*
Kelly, C. G., Petone, N.Z. Coupling-cocks ..	26023	4 June ..	59	15 July.*
Kennedy, F. T., New Plymouth, N.Z. Hanger and holder for window-sh and sliding-door	25868	27 April ..	41	20 May.*
Keymer, W., and another, Auckland, N.Z. Boiler for gas-oven ..	26144	25 June
Kidd, T., Invercargill, N.Z. Vacuum pulsator ..	26145	22 June
King, A. C., and others, Southgate, Eng. Power-transmission ..	26114	23 June
King, E. E., West Brunswick, Vic. Boot and shoe upper ..	24479	4 June, 1908	34	22 April.
King, J., and others, Southgate, Eng. Power-transmission ..	26114	23 June
Knudsen, H., and another, London, Eng. Typesetting-machine ..	26003	1 June
Kozegi, K., and another, Baja, Hungary. Cultivating-machine ..	25793	7 April ..	41	20 May.
Lack, S. W., and another, Albert Park, Vic. Can-jointing material ..	25936	12 May
Lane, M. W., Auckland, N.Z. Rotary engine ..	26062	10 June
Langford, G. S., Huntly, N.Z. Clip for haulage-ropes ..	25980	27 May ..	55	1 July.*
Larmour, C. A. L. G. C., Wellington, N.Z. Loading vehicles ..	26016	2 June ..	59	15 July.*
Lawrence, A. T., Invercargill, N.Z. Plough ..	25983	21 May ..	59	15 July.*
Lawrence, S. J., and another, Sydney, N.S.W. Discovering punctures in tires	25815	13 April ..	41	20 May.*
Legg, G. H., Gisborne, N.Z. Cigarette-mouthpiece ..	25989	28 May ..	55	1 July.*
Lepel. (See Von Lepel.)				
Lewis, G., Napier, N.Z. Joining plaster slabs ..	25855	21 April ..	45	4 June.
Lewis, P. J., Lyndhurst, N.Z. Wire-strainer ..	25320	9 Dec., 1908..	45	4 June.
Lindau, A. E., St. Louis, U.S.A. Reinforcing concrete bar	25821	6 April ..	41	20 May.
Lindsay, J., Dunedin, N.Z. Tobacco pipe valve ..	26033	4 June
Linotype and Machinery, Limited, London, Eng. (See J. T. Hunter, No. 25976.)				
Little, J., Dunedin, N.Z. Display cabinet ..	26091	15 June
Lloyd, F., and another, Sydney, N.S.W. Telephone accessories ..	26117	23 June
Lochhead, R., Mornington, N.Z. Carriage-hood ..	25820	7 April ..	41	20 May.
Lohmann, H. R. R., Melbourne, Vic. Perpetual air-motor ..	26171	30 June
Loke, J. J., Scheveningen, Holland. Tile, slab, &c., manufacture ..	25401	29 Oct., 1908†	51	17 June.
Long, W. H., Auckland, N.Z. Air compressor and vaporiser ..	25892	24 April ..	45	4 June.*
Loomes, C., Wellington, N.Z. Small-arm ammunition-carrier ..	25811	8 April ..	38	6 May.*
Love, W. J., Dunedin, N.Z. Damp-proof bags for lime and cement	25853	19 April
Love, W. J., and another, Dunedin, N.Z. Portland cement ..	25031	3 Oct., 1908..	41	20 May.
Love, W. J., and another, Dunedin, N.Z. Cement-manufacturing machinery	25926	7 May ..	55	1 July.
Low, J., and others, Palmerston North, N.Z. Flax-treatment ..	25094	20 Oct., 1908..	30	8 April.
Low, J., and others, Palmerston North, N.Z. Flax-scutching machine	25095	20 Oct., 1908..	30	8 April.
Low, J., and others, Palmerston North, N.Z. Flax-treating apparatus	25096	20 Oct., 1908..	30	8 April.
Low, J., and others, Palmerston North, N.Z. Flax-treating machinery	25871	27 April ..	45	4 June.*
Lumiere, L., Lyons, France. Acoustical instrument ..	26166	25 July, 1908†
Lund, J. P. H., Rockhampton, Q. Rudder ..	25371	22 Dec., 1908..	38	6 May.
Lungley, C. F., Albert Park, Vic. Compound for preservation of steel, &c.	26084	16 June ..	59	15 July.*
Lungley, C. F., Albert Park, Vic. Treatment of hides and leather ..	26085	16 June ..	59	15 July.*
Lyell, A., Wellington, N.Z. Apple, &c., corer and divider ..	26014	2 June ..	59	15 July.*
Macdonald, A., Parkside South, S. Aust. Telegraphic transmitter ..	25876	27 April ..	55	1 July.
Macdonald, J. L., and another, Halcombe, N.Z. Preventing horses from rearing, kicking, &c.	25951	14 May
Macdonald, J. L., Halcombe, N.Z. Plough-axle lubricator ..	26107	22 June
MacEwan, J. B., and Co., Limited, Wellington, N.Z. Milking-machine. (A. B. Robertson)	25905	7 May ..	41	20 May.*
Macgregor, W. P. S., Wendonside, N.Z. Wire-tightener reel ..	25822	8 April ..	38	6 May.*
Macintosh, H., and another, Wellington, N.Z. Advertising-fan ..	23890	4 Jan., 1908..	34	22 April.
Mackenzie, D. S., Levin, N.Z. Making dental fillings ..	26111	22 June
Mackenzie, W. F., Oamaru, N.Z. Tire-cover patch ..	25988	28 May ..	55	1 July.*
Maclean, C. J., and another, New Plymouth, N.Z. Water-closet cistern	26095	18 June
Mainland, H. L., Burke's, N.Z. Spring-jaw trap ..	25332	9 Dec., 1908..	34	22 April.*
Manley, R. E., and others, Wellington, N.Z. Tag-label printing and making machine	25665	9 Mar. ..	38	6 May.
Marconi, G., London, Eng. (See Marconi's Wireless Telegraph Company, Limited, No. 26097.)				
Marconi's Wireless Telegraph Company, Limited, London, Eng. Wireless telegraphy. (G. Marconi)	26097	16 June
Mardon, J. W., and another, Wellington, N.Z. Railway-signalling ..	24686	18 July, 1908..	55	1 July.
Marks, L., New Plymouth, N.Z. Appliance for drafting trousers ..	26152	29 June
Marley, G. S., Wellington, N.Z. Embrocation ..	25516	3 Feb. ..	45	4 June.
Marriage, M. W., and another, Dunedin, N.Z. Grit-mill ..	26029	2 June ..	59	15 July.*
Mason, H. A., Lower Hutt, N.Z. Pipe-stop ..	26055	10 June ..	59	15 July.

ALPHABETICAL LIST OF APPLICANTS FOR LETTERS PATENT *continued.*

Name, Address, and Invention.	Application.		Gazette.	
	No.	Date.	No.	Date.
Massey-Harris Company, Limited, Toronto, Canada. Side-delivery rake and tedder. (L. Melvin-Jones and A. Johnston)	25997	28 May
Mau, J. H., Ballarat East, Vic. Cheese measurer and cutter ..	26006	1 June ..	59	15 July.*
Maxwell, A. E., Westport, N.Z. Construction of hollow concrete walls	26052	8 June ..	59	15 July.*
Mayes, E., and another, Christchurch, N.Z. Impressing or stamping cheque	25717	20 Mar. ..	41	20 May.
McCallum, J., Tuamarina, N.Z. Weed-eradicating solution ..	25913	6 May
McCarthy, A. J., and another, Wellington, N.Z. Motor-car, &c., wheel	26128	24 June
McCombs, J., Fendalton, N.Z. Toaster ..	25978	24 May ..	55	1 July.*
McCurdy, D., Anderson's Bay, N.Z. Using motive power on land or water	26180	29 June
McCurdy, D., Anderson's Bay, N.Z. Butter-mould and vegetable-cutter	26181	29 June
McCurdy, D., Anderson's Bay, N.Z. Agricultural implement ..	26182	29 June
McDonough, T., Collingwood, Vic. Wool scouring and drying machine	25343	22 Aug., 1908 †	51	17 June.
McGaffin, R., Hastings, N.Z. Grinding beating bars of flax-stripper drums	26170	28 June
McGeorge, J. C., Dunedin, N.Z. Tail-chute for gold-dredge, &c. ..	25823	8 April ..	45	4 June.
McGregor, G. A., Dunedin, N.Z. Fuel-feed and combustion-chamber. (J. McGregor)	26032	2 June ..	59	15 July.*
McGregor, J., Dunedin, N.Z. (See G. A. McGregor, No. 26032.)				
McInnes, W., Auckland, N.Z. Log, stump, &c., extractor ..	25954	14 May ..	55	1 July.*
McIsaac, J. T., and another, East Weymouth, U.S.A. (See United Shoe Machinery Company, No. 24451.)				
McKenzie, W., Gore, N.Z. Whip-socket fastener ..	26001	29 May ..	59	15 July.*
McKinlay, E. A., Eltham, N.Z. Actuating cow-bails ..	26151	29 June
McLean, C. S., Wellington, N.Z. Aeroplane ..	26110	22 June
McLean, N., Auckland, N.Z. Oven tile ..	26019	31 May
McLuskie, A., and another, Wanganui, N.Z. Ointment ..	24387	12 May, 1908..	45	4 June.
McMillan, J. W., and others, Stratford, N.Z. Water-raising apparatus	25807	8 April ..	41	20 May.
McMullen, G., and others, Perth, W.A. Steel-fibre concrete ..	25911	5 May ..	59	15 July.
McMurdie, H., Windsor, Vic. Boiler-feeding apparatus. (W. B. D. Punninghaus)	25894	27 April ..	51	17 June.
McNaught, W. A., Dunedin, N.Z. Branding ..	26096	15 June
McPartland, E., Taumarunui, N.Z. Dust-pan ..	25485	23 Jan. ..	51	17 June.*
Melva, L., St. Kilda, Vic. Hatpin ..	25902	3 May
Melvin-Jones, L., and another, Toronto, Canada. (See Massey-Harris Company, Limited, No. 25997.)				
Merrett, C. E., and another, Melbourne, Vic. Internal-combustion engine	25979	26 May ..	55	1 July.
Merrett, H., and another, East Burwood, Vic. Internal-combustion engine	25979	26 May ..	55	1 July.
Metals Extraction Corporation, Limited, London, Eng. Separation of zinc from ore. (W. Hommel and H. L. Sulman)	25296	3 Dec., 1907 †	34	22 April.
Metcalfe, G., and another, New Plymouth, N.Z. Egg-whisk ..	25992	27 May ..	59	15 July.*
Metcalfe, G., and another, New Plymouth, N.Z. Tire-cover ..	26044	7 June
Midson, G. W., Nundah, Q. Bottle ..	25803	7 April ..	41	20 May.
Milburn Lime and Cement Company, Limited, Dunedin, N.Z. Portland cement manufacture. (F. Oakden)	25947	11 May ..	59	15 July.*
Miller, O. A., Treeing Machine Company, Portland, U.S.A. Heating tools electrically. (J. Oertly, C. F. Dudley, and J. S. Hansen)	26048	9 June ..	59	15 July.*
Mjolkningsmaskin Aktiebolaget, Stockholm, Sweden. Inflatable tubes for milking organs. (T. E. Wawrinsky and H. F. Albihn)	25751	26 Mar. ..	41	20 May.
Moir, W. A., Sydney, N.S.W. Air-cooled crank-case two-cycle motor	25909	5 May
Mono Service Vessels, Limited, London, Eng. Paper-vessel for the delivery of milk. (E. Z. Taylor)	26113	23 June
Monotype Machine (Colonial Patents) Syndicate, Limited, London, Eng. Composing-machine justifying-mechanism. (J. S. Bancroft and M. C. Indahl)	25890	28 April ..	51	17 June.
Montagu, G. P., and another, Vancouver, B.C. Razor-hone ..	26064	12 June ..	59	15 July.
Moore, A., Geraldine, N.Z. Life-saving jacket or belt ..	26125	23 June
Morris, A., Dunedin, N.Z. Water-motor ..	26030	2 June ..	59	15 July.*
Morris, W., and another, Greymouth, N.Z. Water-jacket fire-box ..	25810	1 April ..	55	1 July.*
Moscicki, I., Freiburg, Switz. Treating gases by liquids ..	26045	7 June
Moss, E., Christchurch, N.Z. Fire-alarm, &c., annunciator ..	24676	16 July, 1908..	55	1 July.
Moss, E., Christchurch, N.Z. Fire-alarm, &c., annunciator ..	25897	29 April ..	45	4 June.*
Moss, E., and another, Christchurch, N.Z. Impressing or stamping cheque	25717	20 Mar. ..	41	20 May.
Muir, J., Temuka, N.Z. Earthenware-pipe socket ..	25812	8 April
Munro, J. A., and another, Melbourne, Vic. Vehicle-spring ..	26051	15 Oct., 1908 †	59	15 July.
Murchison, J. A., Waikato, N.Z. Wire-strainer ..	24951	17 Sept., 1908	30	8 April.
Murphy, T. J., Rochester, U.S.A. Electricity-rectifier ..	25639	4 Mar. ..	41	20 May.
Nable, D., Dulwich Hill, N.S.W. Saddle ..	26004	1 June ..	59	15 July.*
Nairn, C. J., and others, Pouterer, N.Z. Aeroplane ..	25865	26 April ..	41	20 May.*
Nancarrow, G. B., and others, Middlesborough, Eng. Stamp-mill for crushing ores. (J. M. and J. H. Holman)	25846	20 April ..	45	4 June.‡
Nesbitt, E., Swan Hill, Vic. Slip-bodice, &c. ..	25817	13 April ..	45	4 June.*
N.Z. Acetylene Gas Lighting Company, Limited, Dunedin, N.Z. Car-bide for acetylene-generator tray. (H. P. Desmoulins)	26103	19 June
Nichols, H. G., Ymir, British Columbia. Wet slimes and ore pulp separation from liquid	24321	4 Feb., 1908..	41	20 May.
Nicholson, G. C., Brydone, N.Z. Soap-holder ..	25704	16 Mar. ..	38	6 May.*
Nicholson, H. A., Otautau, N.Z. Beating-bar ..	25386	24 Dec., 1908..	51	17 June.

ALPHABETICAL LIST OF APPLICANTS FOR LETTERS PATENT—continued.

Name, Address, and Invention.	Application.		Gazette.	
	No.	Date.	No.	Date.
Nightingale, W. F., and another, Auckland, N.Z. Persian lolly ..	25963	19 May
Norden, E., Christchurch, N.Z. Clothier's soap-saver ..	26160	29 June
Norton-Taylor, L. J., Wellington, N.Z. Destination-indicator for trams	26143	28 June ..	59	15 July.*
Oakden, F., Dunedin, N.Z. (See Milburn Lime and Cement Company, Limited, No. 25947.)				
Oakley, H., and another, Christchurch, N.Z. Snow-board ..	24634	8 July, 1908..	38	6 May.
Oakley, H., and another, Christchurch, N.Z. Flushing-cistern pump	24727	25 July, 1908..	55	1 July.
Oakley, H., and another, Christchurch, N.Z. Flushing-cistern silencer	25621	1 Mar. ..	38	6 May.
O'Brien, J. G., Wanganui, N.Z. Gas-stove boiler..	25124	20 Oct., 1908..	51	17 June.
Oertly, J., and others, Cincinnati, U.S.A. (See O. A. Miller Treeing Machine Company, No. 26048.)				
Ogilvie, B., and others, Napier, N.Z. Aeroplane ..	25865	26 April ..	41	20 May.*
Ohlhaber, P. D. H., Sande, Ger. Milking-machine ..	25900	29 April
Ohlhaber, P. D. H., Sande, Ger. Milking-machine ..	25901	29 April
Oldman, V. G., Christchurch, N.Z. Beehive ..	24575	29 June, 1908	34	22 April.
Oliver, E. L., Grass Valley, U.S.A. Filter ..	25886	28 April ..	45	4 June.
Orr, S. B., Sydney, N.S.W. Butter-cooler composition ..	25713	19 Mar. ..	38	6 May.
Orr, T. J., Dunedin, N.Z. Issuing trade coupons..	25742	24 Mar. ..	38	6 May.*
Osborn, S. S., Germiston, Trans. Tube-mill lining ..	25839	16 April ..	41	20 May.*
Ostberg, A. J., St. Kilda, Vic. Substitute for leather board	26092	17 June
O'Sullivan, J., Wellington, N.Z. Military accoutrement ..	25797	7 April ..	38	6 May.*
Ottaway, F. C., Puka, N.Z. Life-saving boat ..	25739	26 Mar. ..	41	20 May.*
Page, E., and another, Eketahuna, N.Z. Flushing-apparatus for water-closets	26115	23 June
Panting, A. E., and others, Wellington, N.Z. Wheel ..	26058	11 June
Pape, H., Hamburg, Ger. Preparation of zinc-oxide for reduction ..	25830	14 April ..	59	15 July.
Parker, A., Wellington, N.Z. Rotary printing-machine ..	25961	20 May ..	55	1 July.*
Parker, A., and others, Wellington, N.Z. Tag-label printing and making machine	25665	9 Mar. ..	38	6 May.
Parker, A., and others, Wellington, N.Z. Counter invoice ..	26158	30 June
Parker, A. H. J., Christchurch, N.Z. Window ..	25750	27 Mar. ..	38	6 May.*
Parker, A. H. J., Christchurch, N.Z. Suspending and operating sashes	26163	30 June
Parker, T., London, Eng. Distillation of coal ..	26146	29 June
Parson, F., and another, Auckland, N.Z. Boiler for gas-oven ..	26144	25 June
Parton, A. W., Wellington, N.Z. Clothes-cleaning apparatus ..	25931	11 May ..	51	17 June.
Patchett, J., Blenheim, N.Z. Self-feeder for threshing-machine ..	24508	2 June, 1908	38	6 May.
Paterson, W. C., Denver, U.S.A. Pulp-agitator ..	26075	15 June
Payne, F. W., Dunedin, N.Z. Air-brake apparatus ..	25928	7 May ..	51	17 June.*
Peacock, J., Melbourne, Vic. Tin, &c., saving appliance ..	25710	11 Mar. ..	41	20 May.
Pearce, H., and another, Broadheath, Eng. (See J. T. Hunter, No. 25976.)				
Pearse, A., London, Eng. Advertising-device ..	26002	1 June ..	59	15 July.*
Pearse, E. L., Wellington, N.Z. Bicycle toe-clip ..	25889	28 April ..	45	4 June.*
Pedersen, J., Melbourne, Vic. Churn and butter-worker ..	24720	21 July, 1908..	45	4 June.
Pedlar, G. H., Oshawa, Canada. Corrugated culvert or pipe sections	25765	31 Mar. ..	55	1 July.
Pedlar, G. H., Oshawa, Canada. Interlocking metallic shingles ..	25802	7 April ..	41	20 May.
Petersen, A. J., Christchurch, N.Z. Frying-pan, &c., cover	25699	15 Mar. ..	38	6 May.
Petersen, H. A., and another, Halcombe, N.Z. Preventing horses from rearing, kicking, &c.	25951	14 May
Pettigrew, G., and another, Reefton, N.Z. Dredge land-reclaimer ..	26068	9 June ..	59	15 July.*
Pinches, A. A., Wanganui, N.Z. Sand-soap ..	26168	28 June
Plunket, V. A. M. M. H. T., Wellington, N.Z. Perambulator-shade..	26054	10 June ..	59	15 July.
Poetto, P., Paris, France. (See F. Walsh, No. 25940.)				
Ponninghaus, W. B. D., Prahran, Vic. (See H. McMurdie, No. 25894.)				
Poole, A. H., Dunedin, N.Z. Hair-pad ..	24622	6 July, 1908..	41	20 May.
Porter, B. F., and another, Wellington, N.Z. Coat-hanger..	25845	20 April ..	38	6 May.*
Porter, L. G., and another, Wellington, N.Z. Coat-hanger..	25845	20 April ..	38	6 May.*
Powers, E. B., New York, U.S.A. (See Power's Railway Safety Appliance Company, No. 25826.)				
Power's Railway Safety Appliance Company, New York, U.S.A. Air-brake. (E. B. Powers)	25826	13 April
Price, J. V., Christchurch, N.Z. Block-printing process ..	25946	13 May ..	55	1 July.*
Pring, H. T., and another, Timaru, N.Z. Kitchen-range ..	25955	18 May ..	55	1 July.*
Queneau, A. L. J., Philadelphia, U.S.A. Metallurgy of zinc ..	26134	21 June
Quertier, H., Dunedin, N.Z. Umbrella, parasol, &c. ..	24058	30 April, 1908	55	1 July.
Quinlivan, T., Coghill's Creek, Vic. Traction-engine, &c. ..	26116	23 June
Ralph, R. W., London, Eng. Displaying pictures, &c. ..	25760	31 Mar. ..	38	6 May.
Ramsbotham, S. H., Ohau, N.Z. Acetylene-gas generator..	26042	8 June
Rasmussen, H. P., Dunedin, N.Z. Electric insulating composition ..	26135	24 June
Rawlinson, H. H., Auckland, N.Z. Fuel-economizer. (T. Rawlinson)	25917	16 Feb.
Rawlinson, H. H., Auckland, N.Z. Spark-arrester. (T. Rawlinson)	25918	16 Feb.
Rawlinson, T. (See H. H. Rawlinson, Nos. 25917 and 25918.)				
Redshaw, R. J., and another, Shannon, N.Z. Flax-stripper ..	25882	28 April ..	45	4 June.*
Redstone, J. R., Gisborne, N.Z. Horse-drench ..	26043	8 June
Reid, F. G., Wellington, N.Z. Cow-cover ..	25966	21 May ..	55	1 July.
Restler, J. W., Kensington, Eng. Service-cock street-box ..	25825	13 April
Rickus, J. M., and another, Temuka, N.Z. Bird-trap ..	25965	21 May ..	55	1 July.*
Rickus, W. T., and another, Temuka, N.Z. Bird-trap ..	25965	21 May ..	55	1 July.*
Riddles, J., and another, New Plymouth, N.Z. Egg-whisk ..	25992	27 May ..	59	15 July.*

ALPHABETICAL LIST OF APPLICANTS FOR LETTERS PATENT—*continued.*

Name, Address, and Invention.	Application.		Gazette.	
	No.	Date.	No.	Date.
Riddles, J., and another, New Plymouth, N.Z. Tire-cover	26044	7 June
Rigby, J. H., Lynn, U.S.A. (See United Shoe Machinery Company, No. 26122.)				
Ringstad, H., and another, Redfern, N.S.W. Counter-advertising cabinet. (J. R. Henderson)	25473	21 Jan. ..	30	8 April.
Rissel, A. K. W., Wellington, N.Z. Temperature indicator, recorder, and alarm	25774	1 April ..	34	22 April.*
Rissel, A. K. W., Wellington, N.Z. Electric relay	25962	20 May ..	55	1 July.*
Ritchie, T., and another, Hastings, N.Z. Acetylene generator ..	24677	17 July, 1908..	51	17 June.
Robertson, A. B., New Plymouth, N.Z. (See J. B. MacEwan and Co., Limited, No. 25905.)				
Robertson, G., and another, Perth, W.A. Tilting kerosene-tins, &c. ..	26165	30 June
Robertson, J., and another, Hastings, N.Z. Making holes in tins ..	25805	8 April ..	38	6 May.*
Robertson, W. J., Auckland, N.Z. Bunching-machine for brush-making	24442	22 May, 1908..	30	8 April.
Robinson, F. W., Auckland, N.Z. Drill-socket	25172	4 Nov., 1908	38	6 May.
Roebuck, W. J., and another, Dunedin, N.Z. Folding-stand ..	25783	1 April ..	41	20 May.
Roebuck, W. J., Dunedin, N.Z. Wire-strainer	26183	30 June
Rolfe, E., Sydney, N.S.W. Composition for preventing decay of teeth	26026	5 June ..	59	15 July.
Rolfe, H. C. L., and another, Melbourne, Vic. Fencing-dropper ..	25883	29 July, 1908†	45	4 June.
Rolfe, H. C. L., Melbourne, Vic. Metal fencing-post	25910	5 May ..	51	17 June.
Rosenberg, A., London, Eng. Depositing metals on metallic surfaces	26077	16 June
Ross, H. I. M., Dunedin, N.Z. Double-current ventilator	24454	26 May, 1908..	34	22 April.
Ross, R. S., and another, Shannon, N.Z. Flax-stripper	25882	25 April ..	45	4 June.*
Ross, W. A., Burnie, Tas. Kerosene, &c., decanting apparatus ..	25927	7 May
Routley, J., and others, Wellington, N.Z. Tag-label printing and making machine	25665	9 Mar. ..	38	6 May.
Routley, M., and others, Wellington, N.Z. Tag-label printing and making machine	25665	9 Mar. ..	38	6 May.
Roy, H. W., and another, Wellington, N.Z. Locking electric globes in holders	25832	14 April ..	45	4 June.
Roy, H. W., and another, Wellington, N.Z. Locking electric globes in holders	25833	14 April ..	45	4 June.
Royston, E. R., Oxtou, Eng. Stamping-machine pneumatic device ..	25794	7 April ..	41	20 May.
Rucker, M. D., and another, London, Eng. Aeroplane	26012	1 June
Rutland, F. H., Seddon, N.Z. Windmill.. ..	25867	26 April ..	45	4 June.*
Ryan, C., Brixton, Eng. Shirt-collar	25785	6 April
Ryan, J. S. L., Wellington, N.Z. Cure for phthisis	26154	29 June
Salek, S., and others, Wellington, N.Z. Counter invoice	26158	30 June
Sames, W. J., Auckland, N.Z. Rotary advertiser	25842	17 April
Sauve, J. B., and another, Mokolunne Hill, U.S.A. Electric fuse-spitter	25792	3 April ..	41	20 May.
Scales, C. H., Christchurch, N.Z. Castor.. ..	26069	14 June
Schreier, E., and another, London, Eng. (See Brett Printing and Publishing Company, Limited, No. 25733.)				
Scott, G., Christchurch, N.Z. Confectionery-centre manufacture ..	25866	26 April
Scott, G. H., and others, Wellington, N.Z. Wheel	26058	11 June
Scott, W., and another, Dunedin, N.Z. Folding-stand	25783	1 April ..	41	20 May.
Seager, J. B., Lansing, U.S.A. Carburetter	25763	31 Mar. ..	38	6 May.
Seavill, W., Waingaro, N.Z. Horse-cover	25984	26 May
Sharpe, A. F., Marton, N.Z. Harness	25933	11 May
Shaw, L. H., and another, Brockton, U.S.A. (See United Shoe Machinery Company, No. 25887.)				
Shaw. (See Hele-Shaw.)				
Shiels, J., Milton, N.Z. Flax-treating machinery	23932	24 Jan., 1908..	38	6 May.
Shirt, S. T., Sydney, N.S.W. Hand-shears	25904	10 June, 1908†
Siddans, T., Wellington, N.Z. Box for counters, &c.	25964	21 May ..	55	1 July.*
Skelsey, F. W., and another, Dunedin, N.Z. Portland cement manufacture	25031	3 Oct., 1908	41	20 May.
Skelsey, F. W., and another, Dunedin, N.Z. Cement-manufacturing machinery	25926	7 May ..	55	1 July.
Smethurst, E., Christchurch, N.Z. Ascertaining temperature of baled goods	25851	20 April ..	41	20 May.*
Smethurst, E., Christchurch, N.Z. Ship's rudder	25852	20 April
Smethurst, E., Christchurch, N.Z. Obtaining samples of wool, &c., from interior of bale	25863	23 April ..	41	20 May.*
Smethurst, E., Christchurch, N.Z. Temperature-indicator for baled goods	25896	29 April ..	55	1 July.*
Smethurst, E., Christchurch, N.Z. Obtaining samples of wool, &c., from interior of bale	26020	2 June ..	59	15 July.*
Smith, A., and another, Christchurch, N.Z. Fire-alarm	26159	14 April
Smith, A., and another, Himatangi, N.Z. Horse-coupler	26162	30 June
Smith, A. L., and another, Christchurch, N.Z. Fire-alarm	26159	14 April
Smith, J. A., and another, Goodmayes, Eng. Pneumatic tire	25369	22 Dec., 1908	38	6 May.
Smith, S. J., and another, Vancouver, B.C. Razor-home	26064	12 June ..	59	15 July.
Smith, T. P., and another, New Plymouth, N.Z. Water-closet cistern	26095	18 June
Solano, E. J., London, Eng. Moving target	25975	1 June, 1908†	51	17 June.
Sorenson, R., Hastings, N.Z. Bradley gig-seat	25990	29 May ..	55	1 July.*
Spekleton, J. H., Perth, W.A. Briquette bond	26164	30 June
Spencer, A. C., and another, Beverly, U.S.A. (See United Shoe Machinery Company, No. 26009.)				
Stairmand, H., and another, Wellington, N.Z. Gas-making machine	25914	6 May ..	45	4 June.*
Stassano, E., Turin, Italy. (See Forni Elettrici Stassano Societa Anonima, No. 25698.)				
Steer, W., Lower Hutt, N.Z. Egg-tester	25987	28 May

ALPHABETICAL LIST OF APPLICANTS FOR LETTERS PATENT—continued.

Name, Address, and Invention.	Application.		Gazette.	
	No.	Date.	No.	Date.
Stevens, C. A., New York, U.S.A. Extracting metal from ore. (C. G. Collins)	25874	27 April
Stewart, G. T., and another, Featherston, N.Z. Searing and docking knife	25452	16 Jan. ..	55	1 July.
Stewart, H. H., and another, Featherston, N.Z. Searing and docking knife	25452	16 Jan. ..	55	1 July.
Storrie, A., Invercargill, N.Z. Milking-machine	25899	1 May ..	51	17 June.
Storrie, A., and others, Invercargill, N.Z. Seeder for agricultural implement	25770	26 Mar. ..	38	6 May.*
Storrie, A., Limited, and another, Invercargill, N.Z. Seeder for agricultural implement	25770	26 Mar. ..	38	6 May.*
Stuart. (See Burdett-Stuart.)				
Stubbs, A. D., and another, Hastings, N.Z. Making holes in tins ..	25805	8 April ..	38	6 May.*
Suckling, J. O., and others, Eketahuna, N.Z. Flushing-apparatus for water-closets	26115	23 June
Sulman, H. L., and another, London, Eng. (See Metals Extraction Corporation, Limited, No. 25296.)				
Sundercombe, L. R., Perth, W.A. Flash-signal apparatus	24737	30 July, 1908	55	1 July.
Sutherland, D. G., Christchurch, N.Z. Mat, rug, or carpet piece-holder	25906	3 May ..	45	4 June.*
Suttie, C., and another, Waharoa, N.Z. Flax-catcher	25776	30 Mar. ..	34	22 April.*
Suttie, C., and another, Waharoa, N.Z. Flax-dressing machine ..	25818	6 April ..	38	6 May.*
Sutton, S., Bendigo, Vic. Percussive rock-drill mechanism	25827	29 April, 1908†	41	20 May.
Sweeney, M. L., and another, New York, U.S.A. Cable-code ..	25705	18 Mar. ..	38	6 May.
Symington, S., and another, Christchurch, N.Z. Displaying advertisements, &c.	26081	16 June ..	59	15 July.*
Syvret, J., Darlington, N.S.W. Closet	25960	20 May ..	51	17 June.
Szechenyi, E., and another, Vaiszka, Hungary. Cultivating-machine	25793	7 April ..	41	20 May.
Tawse, C. G., and others, Wellington, N.Z. Motor-tire cover ..	25814	8 April ..	41	20 May.*
Taylor, A. B., Morwell, Vic. Feed-trough	26118	23 June
Taylor, E., Auckland, N.Z. Clothes-drier	25934	8 May ..	51	17 June.*
Taylor, E. Z., London, Eng. (See Mono Service Vessels, Limited, No. 26113.)				
Taylor, G. E., Englefield Green, Eng. Preservative or antiseptic tablets	25259	13 Dec., 1907†	38	6 May.
Taylor, J. M., and another, Christchurch, N.Z. Snow-board ..	24634	8 July, 1908..	38	6 May.
Taylor J. M., and another, Christchurch, N.Z. Flushing-cistern pump	24727	25 July, 1908..	55	1 July.
Taylor, J. M., and another, Christchurch, N.Z. Flushing-cistern silencer	25621	1 Mar. ..	38	6 May.
Taylor. (See Norton-Taylor.)				
Teal, A., and another, Carterton, N.Z. Fire-grate	26138	28 June
Thomas, C. V., and others, Camborne, Eng. Stamp-mill for crushing ores. (J. M. and J. H. Holman)	25846	20 April ..	45	4 June.
Thomas, J., Kilfeera, Vic. Chaff-cutter feed	26131	26 June
Thomas, J., Kilfeera, Vic. Hoe-support for grain and fertiliser drill..	26132	26 June
Thompson, A. B., and another, Brookton, W.A. Rubber stud and heel-plate for boots and shoes	25235	18 Nov., 1908	38	6 May.
Thompson, F., and another, Christchurch, N.Z. Displaying advertisements, &c.	26081	16 June ..	59	15 July.*
Thomson, H. J., Lincoln, Eng. Portable hammocks, couches, &c. ..	26148	7 July, 1908†
Thomson, J. M., Stratford, N.Z. Game apparatus	25877	24 April ..	45	4 June.*
Thorn, E., Kumara, N.Z. Knickerbocker fastening	26050	9 June ..	59	15 July.*
Thorpe, W. B., London, Eng. Electricity-meter	26153	29 June
Tillie, M., Londonderry, Ireland. Buttonhole-making machine ..	25958	20 May ..	59	15 July.
Tomkies, A. G., Westport, N.Z. Roofing-iron shearing-tool ..	24642	7 July, 1908..	55	1 July.
Trapski, J., Wyndham, N.Z. Gear for ploughs	26142	28 June
Treat, C. H., and another, New York, U.S.A. Cable-code	25705	18 Mar. ..	38	6 May.
Treloar, J., Hamilton, N.Z. Vacuum pump	26105	19 June
Treloar, J., Hamilton, N.Z. Lubricator	26106	19 June
Trengrove, W. H., Wellington, N.Z. Internal-combustion engine ..	25215	12 Nov., 1908	55	1 July.
Tripp, E. A., and another, Beverly, U.S.A. (See United Shoe Machinery Company, No. 25887.)				
Trotman, E. H., Mylor, S. Aust. Fertiliser-manufacture	24902	9 Sept., 1908	(34)	22 April.*
Turner, E. E., and another, Wanganui, N.Z. Automatic stop-pulley..	25848	19 April ..	45	4 June.
Turner, H. J., and another, Wanganui, N.Z. Automatic stop-pulley..	25848	19 April ..	45	4 June.
Turner, P. S., Manchester, Eng. (See British Westinghouse Electric and Manufacturing Company, Limited, No. 25788.)				
Tyree, A., Christchurch, N.Z. Heel-stiffener for goloshes	25813	8 April
Tyrrell, J. C., and another, Fitzroy, Vic. Closing and locking doors of railway-cars, &c.)	26005	1 June ..	59	15 July.*
Uddstrom, C., Greymouth, N.Z. Centreing-device for circular-saw ..	24747	28 July, 1908	55	1 July.
United Shoe Machinery Company, Paterson, U.S.A. Welt-slitting mechanism for shoe-sewing machine. (E. E. Winkley and J. T. McIsaac)	24451	28 May, 1908..	30	8 April.
United Shoe Machinery Company, Paterson, U.S.A. Boot and shoe sole-operating machine. (E. E. Winkley)	24557	25 June, 1908	30	8 April.
United Shoe Machinery Company, Paterson, U.S.A. Vamp-trimming machine. (J. B. Hadaway)	24558	25 June, 1908	30	8 April.
United Shoe Machinery Company, Paterson, U.S.A. Sole-levelling machine. (E. E. Winkley)	25202	11 Nov., 1908	34	22 April.
United Shoe Machinery Company, Paterson, U.S.A. Boot and shoe manufacture. (J. Cavanagh, jun., and P. H. Doherty)	25772	1 April ..	34	22 April.*
United Shoe Machinery Company, Paterson, U.S.A. Heel-building machine. (E. A. Tripp and L. H. Shaw)	25887	28 April ..	41	20 May.*
United Shoe Machinery Company, Paterson, U.S.A. Making dies. (A. Bates)	26007	1 June ..	55	1 July.*
United Shoe Machinery Company, Paterson, U.S.A. Lasting-machine. (W. A. Bond)	26008	1 June ..	55	1 July.*

ALPHABETICAL LIST OF APPLICANTS FOR LETTERS PATENT—continued.

Name, Address, and Invention.	Application.		Gazette.	
	No.	Date.	No.	Date.
United Shoe Machinery Company, Paterson, U.S.A. Impression-stitch machine. (A. C. Spencer and L. A. Casgrain)	26009	1 June ..	55	1 July.*
United Shoe Machinery Company, Paterson, U.S.A. Assembling parts of boots and shoes. (K. Engel)	26010	1 June ..	55	1 July.*
United Shoe Machinery Company, Paterson, U.S.A. Heel-attaching machine. (A. Bates)	26119	23 June ..	59	15 July.*
United Shoe Machinery Company, Paterson, U.S.A. Fastenings-inserting mechanism. (C. D. Foye)	26120	23 June ..	59	15 July.*
United Shoe Machinery Company, Paterson, U.S.A. Boot or shoe machine. (J. N. Busell)	26121	23 June
United Shoe Machinery Company, Paterson, U.S.A. Sole-levelling machine. (J. H. Rigby)	26122	23 June
Vickery, H. D., and others, Wellington, N.Z. Tag-label printing and making machine	25665	9 Mar. ..	38	6 May.
Victor Automatic Carriers, Limited. Newspaper-carrier. (V. Filteau)	25533	4 Feb. ..	41	20 May.
Vincent, R. P., and others, Perth, W.A. Steel-fibre concrete	25911	5 May ..	59	15 July.
Virgil, A. K., New York, U.S.A. Exercising-keyboard for musicians	26074	15 June
Von Lepel, E., Berlin, Ger. Producing rapid electric oscillations	25986	25 May ..	59	15 July.
Vyse Sons and Co., Limited, London, Eng. Hat ..	26150	29 June
Waite, R., Auckland, N.Z. Gas-generator ..	25861	22 April ..	38	6 May.*
Walcutt, J. M., New York, U.S.A. Razor-blade package ..	25875	27 April ..	45	4 June.
Walker, A., and another, Dunedin, N.Z. Grit-mill ..	26029	2 June ..	59	15 July.*
Walker, E., Christchurch, N.Z. Clothes-peg ..	26039	7 June ..	59	15 July.*
Walker, G., Tuakau, N.Z. Fibre drying, loading, &c., mechanism ..	25912	4 May ..	45	4 June.*
Walker, G., Tuakau, N.Z. Flax-dressing machine ..	25953	14 May ..	51	17 June.
Walker, G., Tuakau, N.Z. Fibre polishing and drying machine ..	26046	7 June ..	59	15 July.*
Wallace, H., Porepunkah, Vic. Safety-device for chaff-cutter ..	26101	17 June
Wallder, C. E., and another, Hawthorn, Vic. Instrument for skinning carcasses, &c.	26071	11 June ..	59	15 July.
Walsh, F., Sydney, N.S.W. Pneumatic clock. (P. Poetto) ..	25940	12 May ..	59	15 July.
Ward, W. J., Waitapu, N.Z. Liniment for rheumatism, &c. ..	25836	15 April
Warren, J. H., Gisborne, N.Z. Lid for sanitary pan, &c. ..	25870	24 April ..	45	4 June.*
Watkins, L. F., Wellington, N.Z. Wringer ..	25768	31 Mar. ..	38	6 May.*
Watkins, S., and another, Dunedin, N.Z. Baling-press ..	25998	28 May ..	55	1 July.*
Watkins, T., and another, Dunedin, N.Z. Baling-press ..	25998	28 May ..	55	1 July.*
Watson, A. P. F., and another, Christchurch, N.Z. (See W. J. Jenkin, No. 25685.)				
Watson, G. D., and another, Christchurch, N.Z. (See W. J. Jenkin, No. 25685.)				
Wawrinsky, T. E., and another, Stockholm, Sweden. (See Mjolkningsmaskin Aktiebolaget, No. 25751.)				
Weaver, S., and another, Coburg, Vic. Telephone accessories ..	26117	23 June
Weber, A., and another, Wellington, N.Z. Locking electric lamps within their holders	25832	14 April ..	45	4 June.
Weber, A., and another, Wellington, N.Z. Locking electric lamps within their holders	25833	14 April ..	45	4 June.
Weingott, S., Sydney, N.S.W. Waterproof coat ..	25957	20 May ..	55	1 July.*
Wells, H. G., and another, Moonee Ponds, Vic. Manufacture of jute bagging	25938	12 May
Westmoreland, H. A., London, Eng. Dropper and standard ..	25824	13 April ..	41	20 May.
Weston. (See Hunter-Weston.)				
Whelan, D. J., Auckland, N.Z. Vehicle-brake ..	25843	17 April ..	41	20 May.*
White, P. T., and another, Maylands, W.A. Tilting-appliance for kerosene-tins, &c.	26165	30 June
White, W., Chicago, U.S.A. Washing and filling locomotive boilers, &c.	25526	8 June, 1908†	55	1 July.
White, W., and another, Timaru, N.Z. Kitchen-range ..	25955	18 May ..	55	1 July.*
Whitehead, G. W., Christchurch, N.Z. Hand-pump ..	24541	23 June, 1908	45	4 June.
Whiteside, A. J., Whangamarino, N.Z. Handling fibres while being dressed	25948	12 May ..	55	1 July.*
Whitson, R., and another, Auckland, N.Z. Gully or drain trap ..	25937	12 May
Wilde, H. J., Dunedin, N.Z. Black-sand treatment ..	25944	10 May ..	55	1 July.*
Wilkin, G. H., and another, Wellington, N.Z. Producing geometrical figures	25932	11 May ..	51	17 June.
Wilkinson, E. B., and another, Auckland, N.Z. Gully or drain trap	25937	12 May
Williams, A., Auckland, N.Z. Diary or time-table ..	25838	14 April
Williams, T., London, Eng. Cutting-plate for meat-cutter..	26034	21 Dec., 1908†	59	15 July.*
Wilton, J. J., Masterton, N.Z. Fruit-picking appliance ..	25592	23 Feb. ..	51	17 June.
Wilton, L. M., Wellington, N.Z. Draining or drying crockery ..	25971	25 May ..	51	17 June.*
Winkley, E. E., Lynn, U.S.A. (See United Shoe Machinery Company, Nos. 24557 and 25202.)				
Winkley, E. E., and another, Lynn, U.S.A. (See United Shoe Machinery Company, No. 24451.)				
Winslow, S. W., Beverly, U.S.A. Chain-stitch-forming machine. (C. P. Holmes)	25888	28 April ..	41	20 May.*
Wood, E. T., Dunedin, N.Z. Dust, draught, &c., excluder for door ..	25304	7 Dec., 1908..	38	6 May.
Wood, H. J., Christchurch, N.Z. Kettle-lid ..	26108	22 June
World Mailing Case Company, San Francisco, U.S.A. Mailing-tube. (H. L. Gray)	25801	7 April
Worthington, I. A., and another, Waitara, N.Z. Concrete fencing-post mould	26070	11 June
Wright, A. H., Melbourne, Vic. Advertising scheme ..	25769	31 Mar. ..	38	6 May.*
Wright, E., Pinner, Eng. Fibre-machine ..	25908	5 May
Wynyard, M. H., and another, Auckland, N.Z. Flax-catcher ..	25776	30 Mar. ..	34	22 April.*
Wynyard, M. H., and another, Auckland, N.Z. Flax-dressing machine	25818	6 April ..	38	6 May.*

Alphabetical List of Inventions for Quarter ending 30th June, 1909.

THIS list includes also (1) applications lodged prior to but gazetted during the quarter, (2) complete specifications following provisional specifications accepted or gazetted during the quarter. Where the number and date of the Gazette are omitted, the application has not yet been accepted.

* Denotes a provisional specification. † Denotes a prior date under the International and Intercolonial Arrangements.

Invention.	Name.	Application.		Gazette.	
		No.	Date.	No.	Date.
Account-book	J. W. Bates	25956	19 May
Accoutrements. (See Military accoutrements.)					
Acetylene generator	T. Ritchie and C. S. Bone	24677	17 July, 1908	51	17 June.
Acetylene generator	B. F. H. Dawson	25816	13 April
Acetylene generator	T. Ballinger and Co.	26037	7 June
Acetylene generator	S. H. Ramsbotham	26042	8 June
Acetylene generator	F. A. Cooper	26093	17 June
Acetylene generator, carbide-tray	N.Z. Acetylene Gas Lighting Co., Limited	26103	19 June
Acoustical instrument	L. Lumiere	26166	25 July, 1908†
Advertisement-displaying	R. W. Ralph	25760	31 Mar. ..	38	6 May.
Advertising-cabinet	T. D. Jones and H. Ringstad	25473	21 Jan. ..	30	8 April.
Advertising-device	A. Pearse	26002	1 June ..	59	15 July.*
Advertising-device	S. Symington and F. Thompson	26081	16 June ..	59	15 July.*
Advertising-device, rotary	W. J. Sames	25842	17 April
Advertising-fan	H. Macintosh and G. H. Baylis	23890	4 Jan., 1908	34	22 April.
Advertising-method	A. J. Bert	25767	30 Mar. ..	51	17 June.*
Advertising-method	A. H. Wright	25769	31 Mar. ..	38	6 May.*
Aerator. (See Milk-cooler, &c.)					
Aerial machine	O. Coates	25857	21 April ..	41	20 May.*
Aerial machine	C. C. E. Barnard	25860	21 April ..	41	20 May.*
Aerial machine	O. Coates	25891	27 April ..	45	4 June.*
Aeroplane	C. A. B. P. Hawkins, B. Ogilvie, and C. J. Nairn	25865	26 April ..	41	20 May.*
Aeroplane	A. H. Edwards and M. D. Rucker	26012	1 June
Aeroplane	L. G. Grace	26087	17 June
Aeroplane	C. S. McLean	26110	22 June
Agitating-table. (See Gold-agitating table.)					
Agricultural implement	D. McCurdy	26182	29 June
Air-brake	Power's Railway Safety Appliance Company	25826	13 April
Air-brake	N. C. Christie and W. Henderson	24753	30 July, 1908	55	1 July.
Air-brake	F. W. Payne	25928	7 May ..	51	17 June.*
Air-brake. (See Electric signal for.)					
Air-compressor	W. H. Long	25892	24 April ..	45	4 June.*
Air-motor, perpetual	H. R. R. Lohmann	26171	30 June
Ammunition-carrier	C. Loomes	25811	8 April ..	38	6 May.*
Animal-cover	F. G. Reid	25966	21 May ..	55	1 July.
Animal-cover	W. Seavill	25984	26 May
Animal-cover	O. Bredehorst	26035	7 June
Animal-cover	H. Henderson	26141	25 June
Animal-trap	M. A. Kinney	26186	2 July
Annunciator. (See Fire-alarm, &c.)					
Anti-rattler for window	R. C. Hunter	25920	6 May
Antiseptic tablet	G. E. Taylor	25259	13 Dec., 1907†	38	6 May.
Apple paring and coring machine	A. Lyell	26014	2 June ..	59	15 July.*
Artificial para rubber	J. Blum and A. W. Carpenter	26112	23 June
Axle, self-oiling	J. L. MacDonald	26107	22 June
Bag	W. J. Love	25853	19 April
Bag. (See Jute-bagging manufacture, Mail-bag.)					
Bag-holder. (See Chaff-cutter, &c.)					
Bail. (See Cow-bail.)					
Bale-stitching device	J. Fisher	25399	30 Dec., 1908	30	8 April.
Baled-goods temperature-indicator	J. B. M. Barnes	25930	11 May ..	51	17 June.
Baled-goods temperature-indicator	E. Smethurst	25851	20 April ..	41	20 May.*
Baled-goods temperature-indicator	E. Smethurst	25896	29 April ..	55	1 July.*
Bales, obtaining samples from	E. Smethurst	25863	20 April ..	41	20 May.*
Bales, obtaining samples from	E. Smethurst	26020	2 June ..	59	15 July.*
Baling-press	S. and T. Watkins	25998	28 May ..	55	1 July.*
Bar for reinforcing concrete	A. E. Lindau	25821	6 April ..	41	20 May.
Bar-machine. (See Sheeter or bar-machine.)					
Barrow-wheel	A. J. Bond	26137	24 June
Bath-water heater	Hannam's Limited	25959	20 May ..	55	1 July.*
Battery. (See Primary battery.)					
Bearings. (See Roller bearings.)					
Beating-bar	H. A. Nicholson	25386	24 Dec., 1908	51	17 June.
Beating-bar grinding	R. McGaffin	26170	28 June
Bed	C. W. Clayton	26073	15 June
Beehive	V. G. Oldman	24575	29 June, 1908	34	22 April.

ALPHABETICAL LIST OF INVENTIONS—continued.

Invention.	Name.	Application.		Gazette.	
		No.	Date.	No.	Date.
Beer-register	E. and W. Berg	26157	30 June
Belt. (See Life-belt.)					
Bicycle-brake	T. W. Edlin	25791	6 April	38	6 May.*
Bicycle seat, saddle, and pillar	H. Corrick	25973	26 May	55	1 July.*
Bicycle toe-clip	E. L. Pearse	25889	28 April	45	4 June.*
Bicycle. (See Cycle.)					
Bill. (See Counter invoice.)					
Binder-twine, removing lumps from	M. Donaghy and Sons Proprietary, Limited	25731	24 Mar.	45	4 June.
Bird-trap	W. T. and J. M. Rickus	25965	21 May	55	1 July.*
Biscuit-cutting machine	T. L. Green	25798	7 April
Black-sand treatment	H. J. Wilde	25944	10 May	55	1 July.*
Block-printing process	J. V. Price	25946	13 May	55	1 July.*
Blotting-pad composition	P. Bitossi	25837	15 April	38	6 May.*
Board. (See Snow-board.)					
Boat. (See Lifeboat.)					
Boat-lowering appliance	R. A. French	25819	7 April
Bodice. (See Slip-bodice.)					
Boiler. (See Gas-stove boiler, &c.)					
Boiler-feeding appliance	H. McMurdie	25894	27 April	51	17 June.
Boiler, locomotive, washing and filling	W. White	25526	8 June, 1908†	55	1 July.
Book. (See Account-book.)					
Boot or shoe	C. Brosnahan	25844	20 April	38	6 May.*
Boot and shoe machine	United Shoe Machinery Company	25772	1 April	34	22 April.*
Boot, &c., assembling machine	United Shoe Machinery Company	26010	1 June
Boot and shoe machine	United Shoe Machinery Company	26121	23 June
Boot, &c., upper	E. E. King	24479	4 June, 1908	34	22 April.
Boot-heel	H. Fenton	25977	26 May	51	17 June.
Boot-heel. (See Rubber heel.)					
Boot-heel-building machine	United Shoe Machinery Company	25887	28 April	41	20 May.*
Boot-heel plate and stud	J. C. Hancock and A. B. Thompson	25235	18 Nov., 1908	38	6 May.
Boot-machine, assembling device	United Shoe Machinery Company	26010	1 June	55	1 July.*
Boot-machine, heel-attaching device	United Shoe Machinery Company	26119	23 June	59	15 July.*
Boot-machine, inserting fastenings	United Shoe Machinery Company	26120	23 June	59	15 July.*
Boot-machine, sole-operating device	United Shoe Machinery Company	24557	25 June	30	8 April.
Boot-machine, vamp-trimmer	United Shoe Machinery Company	24558	25 June	30	8 April.
Boot-machine, welt-slitting mechanism	United Shoe Machinery Company	24451	28 May	30	8 April.
Boot-sole	B. A. Fryer	25881	23 April	41	20 May.*
Boot-sole-levelling machine	United Shoe Machinery Company	25202	11 Nov., 1908	34	22 April.
Boot-sole, pneumatic	W. L. Jolly	24500	4 June	30	8 April.
Boots. (See Insole, Sole-machine, Vamp-trimmer, Welt-slitting mechanism.)					
Bottle, aerated-water	G. W. Midson	25803	7 April	41	20 May.
Bottle. (See Non-refillable bottle.)					
Box for counters, &c.	T. Siddans	25964	21 May	55	1 July.*
Brake, bicycle	T. W. Edlin	25791	6 April	38	6 May.*
Brake. (See Electric brake, Vehicle-brake.)					
Branding-device	W. A. McNaught	26096	15 th June
Brazer	W. F. and C. T. Collings	25850	21 April	45	4 June.*
Bread-toaster. (See Toasting-appliance.)					
Bricks, &c., depositing	J. H. Hutchinson	26088	14 June	59	15 July.*
Briquette-bond	J. H. Speckleton	26164	30 June
Broom and brush rack	H. Brown	26056	10 June
Brush	H. Akhurst	25974	11 May	51	17 June.
Brush-bunching machine	W. J. Robertson	24442	22 May, 1908	30	8 April.
Buffer. (See Railway-buffer.)					
Building. (See Ventilating, &c.)					
Building-slab manufacture	J. J. Loke	25401	29 Oct., 1908†	51	17 June.
Bullet for small arms	H. F. Chaffey	26184	2 July
Burner. (See Incandescent burner.)					
Butter-cooler composition	S. B. Orr	25713	19 Mar.	38	6 May.
Butter-mould and vegetable-cutter	D. McCurdy	26181	29 June
Butter-worker. (See Churn, &c.)					
Buttonhole-making machine	M. Tillie	25958	20 May	59	15 July.*
Cabinet. (See Display cabinet.)					
Cable-code	M. L. Sweeney and C. H. Treat	25705	18 Mar.	38	6 May.
Cake-cutting machine	T. L. Green	25800	7 April	41	20 May.
Can-jointing material	G. E. Andrew and S. W. Lack	25936	12 May
Carbide - tray. (See Acetylene generator, &c.)					
Carburetter	J. B. Seager	25763	31 Mar.	38	6 May.
Carcass-skining instrument	C. E. Wallder and H. M. Ashton	26071	11 June	59	15 July.
Carriage-hood	R. Lochhead	25820	7 April	41	20 May.
Carrier. (See Ammunition-carrier, Newspaper-carrier.)					
Cart. (See Spring-cart.)					
Case. (See Motor-crank case.)					
Casting nail-heads	J. Collins	25969	22 May	55	1 July.
Castor	C. H. Scales	26069	14 June
Cattle, removing turnips from throats of	W. A. Jellyman	24602	2 July, 1908	38	6 May.

ALPHABETICAL LIST OF INVENTIONS—*continued.*

Invention.	Name.	Application.		Gazette.	
		No.	Date.	No.	Date.
Cement-kiln.. .. .	F. M. Allan	26066	11 June ..	59	15 July.*
Cement-manufacture	W. J. Love and F. W. Skelsey ..	25031	3 Oct., 1908	41	20 May.
Cement-manufacturing machine ..	W. J. Love and F. W. Skelsey ..	25926	7 May ..	55	1 July.
Cement-manufacturing apparatus ..	Milburn Lime and Cement Company, Limited	25947	11 May ..	59	15 July.*
Centering-device for circular-saw spindle	C. Uddstrom	24747	28 July, 1908	55	1 July.
Chaff-cutter bag-holder	D. Kay	26136	24 June
Chaff-cutter-knife sharpening	F. G. Gibbs and W. J. Bowman ..	26049	9 June ..	59	15 July.*
Chaff-cutter riddle	A. G. Jackson	24474	2 June, 1908	41	20 May.
Chaff-cutter safety device	H. Wallace	26101	17 June
Chaff-cutter machine-feed	J. Thomas	26131	22 June
Chain-stitch machine.. .. .	S. W. Winslow	25888	28 April ..	41	20 May.*
Chair	T. F. Brown	25757	30 Mar. ..	38	6 May.*
Chair	H. Broadbent	25342	14 Dec., 1908	51	17 June.
Chair	T. F. Brown	25981	27 May ..	55	1 July.*
Cheese measurer and cutter	J. H. Mau	26006	1 June ..	59	15 July.*
Cheese-pressure block	W. Harvey	25968	21 May ..	55	1 July.*
Cheque stamping or impressing	E. Moss and E. Mayes.. .. .	25717	20 Mar. ..	41	20 May.
Churn and butter-worker	J. Pedersen	24720	24 July, 1908	45	4 June.
Cigar and cigarette mouthpiece	W. Beamish	26067	11 June ..	59	15 July.*
Cigarette, &c., mouthpiece	G. H. Legg	25989	28 May ..	55	1 July.*
Cinder-sifter	A. J. Day	25723	23 Mar. ..	51	17 June.
Circular-saw mounting	C. Uddstrom	24747	28 July, 1908	55	1 July.
Cistern. (See Water-closet cistern.)					
Cleaning instrument	A. Edmond	25619	25 Feb. ..	45	4 June.
Clip. (See Pedal-clip, Rope-clip, Pencil-clip.)					
Clock. (See Pneumatic clock.)					
Closet	J. Syvret	25960	20 May ..	51	17 June.
Closet. (See also Earth-closet, Water-closet.)					
Clothes-drier	E. Taylor	25934	8 May ..	51	17 June.*
Clothes-peg	M. A. Browne	25916	5 May ..	45	4 June.*
Clothes-peg	E. Walker	26039	7 June ..	59	15 July.*
Clothes steamer and washer	A. W. Parton.. .. .	25931	11 May ..	51	17 June.
Coal, &c., distillation.. .. .	T. Parker	26146	29 June
Coat-hanger.. .. .	B. F. and L. G. Porter	25845	20 April ..	38	6 May.*
Coat and trousers hanger	A. O. Goulet	25994	28 May ..	55	1 July.*
Coat. (See Waterproof coat.)					
Cock-box. (See Service-cock box.)					
Code. (See Cable-code.)					
Collar. (See Shirt-collar.)					
Collisions, preventing. (See Railways, &c.)					
Combustion-chamber.. .. .	G. A. McGregor	26032	2 June
Composing-machine justifying-mechanism	Monotype Machine (Colonial Patents) Syndicate, Limited	25890	28 April ..	51	17 June.
Concrete. (See Steel-fibre concrete.)					
Concrete fencing-post mould	G. Hall and I. A. Worthington..	26070	11 June
Concrete wall	A. E. Maxwell	26052	8 June ..	59	15 July.*
Concrete-wall mould	R. Bowen	25663	12 Mar., 1908†	51	17 June.
Confectionery-centre manufacture ..	G. Scott	25866	26 April
Consumption. (See Phthisis.)					
Conveyor. (See Elevator, &c.)					
Cooler. (See Butter-cooler, Milk-cooler.)					
Corrugated-pipe sections	G. H. Pedlar.. .. .	25765	31 Mar. ..	55	1 July.
Corrugated roofing-iron	A. G. Tomkies	24642	7 July, 1908	55	1 July.
Counter invoice	A. Parker, S. Salek, and J. E. Ffrost	26158	30 June
Counters. (See Box for counters.)					
Coupling. (See Fire-hose, &c., coupling.)					
Coupling-cock	C. G. Kelly	26023	4 June ..	59	15 July.*
Coupons, issuing	T. J. Orr	25742	24 Mar. ..	38	6 May.*
Cover. (See Animal-cover, Frying-pan cover, Milk-can cover, Pillow-cover.)					
Cow-bail	E. A. McKinlay	26151	29 June
Cow-cover. (See Animal-cover.)					
Cowl. (See Ventilating-cowl.)					
Crane. (See Lifting jack or crane.)					
Crank-case. (See Motor-crank case.)					
Crockery-drier. (See Drying crockery.)					
Cross-cut saw	W. C. Comport	25982	27 May ..	55	1 July.*
Cultivating-machine	K. Koszegi and E. Szechenyi ..	25793	7 April ..	41	20 May.
Culvert section. (See Corrugated pipe, &c.)					
Curtain-connector	T. Hemming	25993	28 May ..	55	1 July.*
Curtain-pole lifter	J. Betty	25879	27 April ..	45	4 June.*
Cutting-plate	T. Williams	26034	4 June
Cycle-lock	H. M. Inglis	26123	22 June
Cycle-pedal clip	T. Barnard	24664	14 July, 1908	38	6 May.
Cycle-saddle cover. (See Saddle-cover, &c.)					
Dental-filling apparatus	D. S. Mackenzie	26111	22 June
Deodorant-distributor	A. Anderson	26059	11 June
Diary or time-table	A. Williams	25828	14 April
Die-making	United Shoe Machinery Company	26010	1 June ..	55	1 July.*
Display cabinet	J. Little	26091	15 June

ALPHABETICAL LIST OF INVENTIONS—continued.

Invention.	Name.	Application.		Gazette.	
		No.	Date.	No.	Date.
Docking, &c., knife	G. T. and H. H. Stewart	25452	16 Jan. ..	51	1 July.
Door and gate closing apparatus	W. Duggan, jun.	26174	29 June
Door-hinge	G. J. Cullen	25923	8 May, 1908	51	17 June.
Draining-implement	C. J. J. S. Hollway	26086	16 June ..	59	15 July.*
Drain-trap. (See Gully, &c.)					
Draught-excluder. (See Dust, &c., excluder.)					
Drawing board and protractor	F. A. Burdett-Stuart	25795	7 April ..	45	4 June.
Dredge	C. B. Askew	25722	20 Mar. ..	38	6 May.
Dredge land-reclaimer	C. Pettigrew and W. P. Hambleton	26068	9 June ..	59	15 July.*
Dredge, tail-chute for	J. C. McGeorge	25823	8 April ..	45	4 June.
Drench. (See Horse-drench.)					
Dressing retainer and shield for horses ..	J. Douglas, Jun., and F. G. Geddes	25941	12 May ..	55	1 July.
Drill-socket	F. W. Robinson	25172	4 Nov., 1908	38	6 May
Dropper. (See Fencing-dropper, &c.)					
Drying crockery, &c.	L. M. Wilton	25971	25 May ..	51	17 June.*
Drying-machine. (See Wool-scouring, &c.)					
Drying timber. (See Timber-drying.)					
Dust, &c., excluder for doors	E. T. Wood	25304	7 Dec., 1908	38	6 May.
Dust, &c., excluder for doors	A. R. Douglas	26147	26 June
Dust-pan	E. McPartland	25485	23 Jan. ..	51	17 June.*
Dust-preventer for trams	A. H. Cranwell	25949	11 May ..	55	1 July.*
Dust-preventer for trams	A. H. Cranwell	25950	11 May ..	55	1 July.*
Earth-closet	J. E. Ephraim	25935	12 May ..	59	15 July.
Earth-closet	J. Baird	25996	28 May ..	59	15 July.
Earthenware-pipe socket	J. Muir	25812	8 April
Egg-tester	W. Steer	25987	28 May
Egg-whisk	J. Riddles and G. Metcalfe	25992	27 May ..	59	15 July.*
Electric brake	British Westinghouse Electric and Manufacturing Company, Limited	25788	6 April ..	41	20 May.
Electric furnace	Forni Elettrici Stassano Societa Anonima	25968	18 Mar. ..	38	6 May.
Electric-insulating composition	H. P. Rasmussen	26135	24 June
Electric lamp, locking and holding	H. W. Roy and A. Weber	25832	14 April ..	45	4 June.
Electric lamp, locking and holding	H. W. Roy and A. Weber	25833	14 April ..	45	4 June.
Electric oscillation production	E. Von Lepel	25986	26 May ..	59	15 July.
Electric relay	A. K. W. Rissel	25962	20 May ..	55	1 July.*
Electric signalling-apparatus for air-brake	N. C. Christie and W. Henderson	26129	22 June ..	59	15 July.*
Electric switch	W. E. Garey	25756	27 Mar. ..	45	4 June.*
Electrical fuse-spitter	J. B. Suave and F. Bernardi	25792	3 April ..	41	20 May.
Electricity-meter	W. B. Thorpe	26153	29 June
Electricity-rectifier	T. J. Murphy	25639	4 Mar. ..	41	20 May.
Elevator and conveyor	J. Arthur, jun.	24719	21 July, 1908	55	1 July.
Elevator and conveyor	J. Arthur, jun.	25862	22 April ..	55	1 July.*
Embrocation	G. S. Marley	25516	3 Feb. ..	45	4 June.
Engine. (See Explosion engine, Internal-combustion engine, Steam-engine.)					
Excavating-machinery	G. H. Dunlop	26078	16 June
Exercising-keyboard for musicians	A. K. Virgil	26074	15 June
Explosion engine	N. T. Harrington	25762	31 Mar. ..	38	6 May.
Fan. (See Advertising-fan.)					
Fastener, inserting	United Shoe Machinery Company	26120	23 June ..	59	15 July.*
Feed-gear for saw-bench	J. W. Brownlee	26025	4 June
Feed-trough	A. B. Taylor	26118	23 June
Fence, protecting, from pigs	W. E. Hunter	26124	24 June
Fencing-dropper	A. J. Bedford and H. C. L. Rolfe ..	25883	29 July, 1908†	45	4 June.
Fencing dropper and standard	H. A. Westmoreland	25824	13 April ..	41	20 May.
Fencing-post, metal	H. C. L. Rolfe	25910	5 May ..	51	17 June.
Fertiliser, manufacture from waste products	E. H. Trotman	24902	9 Sept., 1908	(34)	22 April.*
Fibre-drying mechanism	G. Walker	25912	4 May ..	45	4 June.*
Fibre handling and dressing	A. J. Whiteside	25948	12 May ..	55	1 July.*
Fibre-machine	E. Wright	25908	5 May
Fibre-manufacture	S. Graham	24691	17 July, 1908	55	1 July.
Fibre-polishing machine	G. Walker	26046	7 June ..	59	15 July.
Fibre. (See also Flax.)					
Filter	E. L. Oliver	25886	28 April ..	45	4 June.
Fire-alarm	A. Smith and A. L. Smith	26159	14 April
Fire-alarm	E. Moss	24676	16 July, 1908	55	1 July.
Fire-alarm	E. Moss	25897	29 April ..	45	4 June.*
Firearm attachment	J. M. Clark	25942	12 Mar. ..	55	1 July.
Fire-box	W. Morris and W. P. Hambleton	25810	1 April ..	55	1 July.*
Fire-escape	J. C. Hay	25991	26 May
Fire-grate	W. R. Cook and A. Teal	26138	28 June
Fire-grating	A. H. Hansen	26063	12 June
Fire-hose, &c., coupling	W. H. Boyens and T. Gore	25858	22 April ..	41	20 May.*
Fire-lighter	J. B. Allen	26024	4 June
Fire-place. (See Grate, Range.)					
Fishing-line	A. Costello	25675	10 Mar. ..	38	6 May.*
Flash-signal apparatus	L. R. Sundercombe	24737	30 July, 1908	55	1 July.
Flax-catcher	C. Suttie and M. H. Wynyard	25776	30 Mar. ..	34	22 April.*

ALPHABETICAL LIST OF INVENTIONS—continued.

Invention.	Name.	Application.		Gazette.	
		No.	Date.	No.	Date.
Flax-machine	C. Suttie and M. H. Wynyard ..	25818	6 April ..	38	6 May.*
Flax-machine	G. Walker	25953	14 May ..	51	17 June.
Flax-machine	J. Shiels	23932	24 Jan., 1908	38	6 May.
Flax-machine	J. M. Collins, J. Low, and A. Burges	25094	20 Oct., 1908	30	8 April.
Flax-machine	W. Hay	25778	2 April ..	34	22 April.*
Flax-machine	A. J. Whiteside	25948	12 May ..	55	1 July.*
Flax-machine	J. M. Collins, J. Low, and A. Burges	25871	27 April ..	45	4 June.*
Flax-machine beater-bar	H. A. Nicholson	25386	24 Dec., 1908	51	17 June.
Flax-machine beating-bar, grinding	R. McGaffin	26170	28 June
Flax-scutter	J. M. Collins, J. Low, and A. Burges	25095	20 Oct., 1908	30	8 April.
Flax-scutter	J. M. Collins, J. Low, and A. Burges	25096	20 Oct., 1908	30	8 April.
Flax-stripper	R. S. Ross and R. J. Redshaw ..	25882	28 April ..	45	4 June.
Flax-treatment	G. Crow	26027	5 June ..	55	1 July.*
Flooring-composition. (See Paving, &c., composition.)					
Flour-milling	A. E. Humphries	26130	22 June
Fluid-pressure or vacuum motor	G. F. Hutchinson	24730	27 July, 1908	55	1 July.
Fluid-pressure regulator	A. G. Beckman	25898	30 April ..	51	17 June.
Flushing-cistern silencer	J. M. Taylor and H. Oakley ..	25621	1 Mar. ..	38	6 May.
Flushing-cistern pump-attachment	J. M. Taylor and H. Oakley ..	24727	25 July, 1908	55	1 July.
Flying-machine. (See Aerial machine.)					
Folding-stand	W. Scott and W. J. Roebuck ..	25783	1 April ..	41	20 May.
Foot-warmer	F. Gough	26038	7 June
Footwear	C. Brosnahan	25844	20 April ..	38	6 May.*
Fruit-picker	J. J. Wilton	25592	23 Feb. ..	51	17 June.
Frying-pan cover	A. J. Petersen	25699	15 Mar. ..	38	6 May.
Fuel-economizer	H. H. Rawlinson	25917	16 Feb.
Fuel-feed and combustion-chamber	G. A. McGregor	26032	2 June ..	59	15 July.*
Fuel for furnaces	F. Cotton	26013	9 June, 1908†	59	15 July.
Funnel, measuring	M. S. Collier	25719	19 Mar. ..	38	6 May.*
Furnace-door	A. Beveridge	25835	18 April ..	41	20 May.*
Furnace-grating	A. H. Hansen	26063	12 June
Furnace. (See Electric furnace.)					
Fuse-spitter. (See Electric-fuse spitter.)					
Game	F. Dando	24713	23 Jan., 1908	30	8 April.
Game	J. M. Thomson	25877	24 April ..	45	4 June.*
Gas-burner attachment	W. C. Hampton	25849	19 April
Gas-engine. (See Oil or Gas engine.)					
Gas-mixture	J. R. Davies	25828	14 April ..	45	4 June.*
Gases, treating by liquids	I. Moscicki	26045	7 June
Gas-flasher	W. H. Bell	25864	26 April ..	41	20 May.*
Gas-generator	R. Waite	24861	22 April ..	38	6 May.*
Gas-lamp, lighting and extinguishing	A. J. Bedford	25513	15 April, 1908†	30	8 April.
Gas-lamp, lighting and extinguishing	A. J. Bedford	25514	15 Oct., 1908†	30	8 April.
Gas-making machine	J. R. Davis and H. Stairmand ..	25914	6 May ..	45	4 June.*
Gas plant, suction-	H. Berry	24497	6 June, 1908	45	4 June.
Gas-oven boiler	W. Keyner and F. Parson	26144	25 June
Gas-stove boiler	J. G. O'Brien	25124	20 Oct., 1908	51	17 June.
Gate-hinge	W. J. Jenkin	25685	12 Mar. ..	38	6 May.
Gate-hinge	G. J. Cullen	25923	8 May ..	51	17 June.*
Gate opening and closing device	P. J. Andersen	26082	16 June
Geometrical figure and diagram producer	F. H. Andrews and G. H. Wilkin	25932	11 May ..	51	17 June.
Gig-seat	R. Sorenson	25990	29 May ..	55	1 July.*
Gold-agitating table	W. Jenkins and G. Jones	25737	25 Mar. ..	41	20 May.*
Gold-dredge tail-chute	J. C. McGeorge	25823	8 April ..	45	4 June.
Golosh-heel stiffener	A. Tyree	25813	8 April
Grate	G. R. Hislop	25782	31 Mar. ..	38	6 May.
Grate. (See Furnace grating.)					
Grindstone	J. S. Dreadon	23749	21 Nov., 1907	7	28 Jan.
Grit-mill	A. Walker and M. W. Marriage ..	26029	2 June ..	59	15 July.*
Gully or drain trap	R. Whitson and E. P. Wilkinson	25937	12 May
Hair-cream	J. Burton	25633	1 Mar. ..	41	20 May.*
Hair-pad	A. H. Poole	24622	6 July, 1908	41	20 May.
Hammock, stretcher, &c.	H. J. Thomson	26148	7 July, 1908†
Hand-pump	G. W. Whitehead	24541	23 June, 1908	45	4 June.
Hand-shears	S. T. Shirt	25904	10 June, 1908†
Harness	A. F. Sharpe	25933	11 May
Hat	A. E. W. Day and Vyse, Sons, and Co., Limited	26150	29 June
Hatpin	L. Melva	25902	3 May
Hatpin-point protector	C. J. Bailey	25859	22 April
Hay-press	W. Dalziel	25712	19 Mar. ..	55	1 July.
Heel. (See Boot-heel, Heel-building machine.)					
Heel-attaching machine	United Shoe Machinery Company	26119	23 June ..	59	15 July.*
Heel-building machine	United Shoe Machinery Company	25887	28 April ..	41	20 May.*
Heel-stiffener. (See Golosh-heel stiffener.)					
Hides. (See Leather, &c.)					
Hinge. (See Gate-hinge, Door-hinge.)					
Hoe-support of grain, &c., drill	J. Thomas	26132	22 June
Hone. (See Razor-hone.)					
Hood. (See Carriage-hood.)					

ALPHABETICAL LIST OF INVENTIONS—continued.

Invention.	Name.	Application.		Gazette.	
		No.	Date.	No.	Date.
Horse-coupler	S. J. Hartley and A. Smith ..	26162	30 June
Horse-cover. (See Animal-cover) ..	J. R. Redstone	26043	8 June
Horse-drench	H. A. Petersen and J. L. Macdonald	25951	14 May
Horse pad or shield. (See Dressing-retainer, &c.)	W. H. Boyens and T. Gore ..	25858	22 April ..	41	20 May.*
Horse, preventing, from kicking and rearing	A. Campbell	26133	21 June
Hose-coupling	L. G. Grace	26100	21 June
Hydraulic nozzle, operating	W. Angus	26105	19 June
Hydraulic pump valve	United Shoe Machinery Company	26009	1 June ..	55	1 July.*
Hydraulic ram valve	A. L. Dunphy	25972	26 May
Imitation-stitch machine	C. W. Clayton	25970	25 May
Incandescent burner, inverted.. .. .	C. W. Clayton	26000	31 May
Insole	W. H. Trengrove	25215	12 Nov., 1908	55	1 July.
Insole	H. and C. E. Merrett	25979	26 May ..	55	1 July.
Internal-combustion engine	W. A. Hargreaves	25829	14 April
Internal-combustion engine	W. J. F. Hayter	25919	3 May ..	45	4 June.*
Inverted burner. (See Incandescent burner.)	Jack. (See Vehicle-lifting jack, Lifting jack or crane.)	Jacket. (See Life belt or jacket.)	Jar. (See Preserving-jar.)	Justifying-mechanism. (See Composing-machine.)	Jute-bagging manufacture
Invoice. (See Counter invoice.)	Iron and steel manufacture	Ironsand-treating	Jack. (See Vehicle-lifting jack, Lifting jack or crane.)	Jacket. (See Life belt or jacket.)	Jar. (See Preserving-jar.)
Internal-combustion engine	Internal-combustion engine	Inverted burner. (See Incandescent burner.)	Invoice. (See Counter invoice.)	Iron and steel manufacture	Ironsand-treating
Internal-combustion engine	Inverted burner. (See Incandescent burner.)	Invoice. (See Counter invoice.)	Iron and steel manufacture	Ironsand-treating	Jack. (See Vehicle-lifting jack, Lifting jack or crane.)
Internal-combustion engine	Inverted burner. (See Incandescent burner.)	Invoice. (See Counter invoice.)	Iron and steel manufacture	Ironsand-treating	Jacket. (See Life belt or jacket.)
Internal-combustion engine	Inverted burner. (See Incandescent burner.)	Invoice. (See Counter invoice.)	Iron and steel manufacture	Ironsand-treating	Jar. (See Preserving-jar.)
Internal-combustion engine	Inverted burner. (See Incandescent burner.)	Invoice. (See Counter invoice.)	Iron and steel manufacture	Ironsand-treating	Justifying-mechanism. (See Composing-machine.)
Internal-combustion engine	Inverted burner. (See Incandescent burner.)	Invoice. (See Counter invoice.)	Iron and steel manufacture	Ironsand-treating	Jute-bagging manufacture
Internal-combustion engine	Inverted burner. (See Incandescent burner.)	Invoice. (See Counter invoice.)	Iron and steel manufacture	Ironsand-treating	Kerosene can tilting appliance
Internal-combustion engine	Inverted burner. (See Incandescent burner.)	Invoice. (See Counter invoice.)	Iron and steel manufacture	Ironsand-treating	Kerosene decanting apparatus
Internal-combustion engine	Inverted burner. (See Incandescent burner.)	Invoice. (See Counter invoice.)	Iron and steel manufacture	Ironsand-treating	Kettle, &c.
Internal-combustion engine	Inverted burner. (See Incandescent burner.)	Invoice. (See Counter invoice.)	Iron and steel manufacture	Ironsand-treating	Kettle-lid
Internal-combustion engine	Inverted burner. (See Incandescent burner.)	Invoice. (See Counter invoice.)	Iron and steel manufacture	Ironsand-treating	Keyboard. (See Exercising, &c.)
Internal-combustion engine	Inverted burner. (See Incandescent burner.)	Invoice. (See Counter invoice.)	Iron and steel manufacture	Ironsand-treating	Kiln. (See Cement kiln.)
Internal-combustion engine	Inverted burner. (See Incandescent burner.)	Invoice. (See Counter invoice.)	Iron and steel manufacture	Ironsand-treating	Kitchen-range
Internal-combustion engine	Inverted burner. (See Incandescent burner.)	Invoice. (See Counter invoice.)	Iron and steel manufacture	Ironsand-treating	Knee pad or shield. (See Dressing retainer, &c.)
Internal-combustion engine	Inverted burner. (See Incandescent burner.)	Invoice. (See Counter invoice.)	Iron and steel manufacture	Ironsand-treating	Knickerbocker-fastening
Internal-combustion engine	Inverted burner. (See Incandescent burner.)	Invoice. (See Counter invoice.)	Iron and steel manufacture	Ironsand-treating	Knife-cleaner
Internal-combustion engine	Inverted burner. (See Incandescent burner.)	Invoice. (See Counter invoice.)	Iron and steel manufacture	Ironsand-treating	Label-printing, &c., machine
Internal-combustion engine	Inverted burner. (See Incandescent burner.)	Invoice. (See Counter invoice.)	Iron and steel manufacture	Ironsand-treating	Lamp post or pillar
Internal-combustion engine	Inverted burner. (See Incandescent burner.)	Invoice. (See Counter invoice.)	Iron and steel manufacture	Ironsand-treating	Lamp. (See Gas-lamp.)
Internal-combustion engine	Inverted burner. (See Incandescent burner.)	Invoice. (See Counter invoice.)	Iron and steel manufacture	Ironsand-treating	Lamp-holder. (See Electric lamp, &c.)
Internal-combustion engine	Inverted burner. (See Incandescent burner.)	Invoice. (See Counter invoice.)	Iron and steel manufacture	Ironsand-treating	Land and water motor
Internal-combustion engine	Inverted burner. (See Incandescent burner.)	Invoice. (See Counter invoice.)	Iron and steel manufacture	Ironsand-treating	Land-reclaimer. (See Dredge, &c.)
Internal-combustion engine	Inverted burner. (See Incandescent burner.)	Invoice. (See Counter invoice.)	Iron and steel manufacture	Ironsand-treating	Lasting, &c., machine
Internal-combustion engine	Inverted burner. (See Incandescent burner.)	Invoice. (See Counter invoice.)	Iron and steel manufacture	Ironsand-treating	Lathe-slide. (See Planing-machine lathe-slide.)
Internal-combustion engine	Inverted burner. (See Incandescent burner.)	Invoice. (See Counter invoice.)	Iron and steel manufacture	Ironsand-treating	Lead seal casting
Internal-combustion engine	Inverted burner. (See Incandescent burner.)	Invoice. (See Counter invoice.)	Iron and steel manufacture	Ironsand-treating	Leather and hides, treatment of
Internal-combustion engine	Inverted burner. (See Incandescent burner.)	Invoice. (See Counter invoice.)	Iron and steel manufacture	Ironsand-treating	Leather-board manufacture
Internal-combustion engine	Inverted burner. (See Incandescent burner.)	Invoice. (See Counter invoice.)	Iron and steel manufacture	Ironsand-treating	Leather waste. (See Waste leather utilizing.)
Internal-combustion engine	Inverted burner. (See Incandescent burner.)	Invoice. (See Counter invoice.)	Iron and steel manufacture	Ironsand-treating	Leather-skiving machine
Internal-combustion engine	Inverted burner. (See Incandescent burner.)	Invoice. (See Counter invoice.)	Iron and steel manufacture	Ironsand-treating	Leather sole. (See Rubber, &c.)
Internal-combustion engine	Inverted burner. (See Incandescent burner.)	Invoice. (See Counter invoice.)	Iron and steel manufacture	Ironsand-treating	Legging
Internal-combustion engine	Inverted burner. (See Incandescent burner.)	Invoice. (See Counter invoice.)	Iron and steel manufacture	Ironsand-treating	Life belt or jacket
Internal-combustion engine	Inverted burner. (See Incandescent burner.)	Invoice. (See Counter invoice.)	Iron and steel manufacture	Ironsand-treating	Life-boat
Internal-combustion engine	Inverted burner. (See Incandescent burner.)	Invoice. (See Counter invoice.)	Iron and steel manufacture	Ironsand-treating	Life-boat
Internal-combustion engine	Inverted burner. (See Incandescent burner.)	Invoice. (See Counter invoice.)	Iron and steel manufacture	Ironsand-treating	Life-boat
Internal-combustion engine	Inverted burner. (See Incandescent burner.)	Invoice. (See Counter invoice.)	Iron and steel manufacture	Ironsand-treating	Life-boat lowering
Internal-combustion engine	Inverted burner. (See Incandescent burner.)	Invoice. (See Counter invoice.)	Iron and steel manufacture	Ironsand-treating	Lift safety-device
Internal-combustion engine	Inverted burner. (See Incandescent burner.)	Invoice. (See Counter invoice.)	Iron and steel manufacture	Ironsand-treating	Lifting jack or crane, actuating
Internal-combustion engine	Inverted burner. (See Incandescent burner.)	Invoice. (See Counter invoice.)	Iron and steel manufacture	Ironsand-treating	Lifting jack, vehicle.. .. .
Internal-combustion engine	Inverted burner. (See Incandescent burner.)	Invoice. (See Counter invoice.)	Iron and steel manufacture	Ironsand-treating	Liniment
Internal-combustion engine	Inverted burner. (See Incandescent burner.)	Invoice. (See Counter invoice.)	Iron and steel manufacture	Ironsand-treating	Linotype production and apparatus
Internal-combustion engine	Inverted burner. (See Incandescent burner.)	Invoice. (See Counter invoice.)	Iron and steel manufacture	Ironsand-treating	Liquid-evaporation. (See Salt, &c.)
Internal-combustion engine	Inverted burner. (See Incandescent burner.)	Invoice. (See Counter invoice.)	Iron and steel manufacture	Ironsand-treating	Liquid-raising apparatus
Internal-combustion engine	Inverted burner. (See Incandescent burner.)	Invoice. (See Counter invoice.)	Iron and steel manufacture	Ironsand-treating	Lock. (See Window-lock.)
Internal-combustion engine	Inverted burner. (See Incandescent burner.)	Invoice. (See Counter invoice.)	Iron and steel manufacture	Ironsand-treating	Locomotive boiler. (See Boiler, &c.)
Internal-combustion engine	Inverted burner. (See Incandescent burner.)	Invoice. (See Counter invoice.)	Iron and steel manufacture	Ironsand-treating	Log, stump, &c., extractor
Internal-combustion engine	Inverted burner. (See Incandescent burner.)	Invoice. (See Counter invoice.)	Iron and steel manufacture	Ironsand-treating	Lolly. (See Persian lolly.)
Internal-combustion engine	Inverted burner. (See Incandescent burner.)	Invoice. (See Counter invoice.)	Iron and steel manufacture	Ironsand-treating	Lubricating-device
Internal-combustion engine	Inverted burner. (See Incandescent burner.)	Invoice. (See Counter invoice.)	Iron and steel manufacture	Ironsand-treating	Lubricator, force-feed
Internal-combustion engine	Inverted burner. (See Incandescent burner.)	Invoice. (See Counter invoice.)	Iron and steel manufacture	Ironsand-treating	Mail-bag sealing
Internal-combustion engine	Inverted burner. (See Incandescent burner.)	Invoice. (See Counter invoice.)	Iron and steel manufacture	Ironsand-treating	Mailing-tube
Internal-combustion engine	Inverted burner. (See Incandescent burner.)	Invoice. (See Counter invoice.)	Iron and steel manufacture	Ironsand-treating	Manure-manufacture. (See Fertiliser-manufacture, &c.)

ALPHABETICAL LIST OF INVENTIONS—*continued.*

Invention.	Name.	Application.		Gazette.	
		No.	Date.	No.	Date.
Manure-depositing appliance	J., W. G., and J. Gordon-Jones..	25752	26 Mar. ..	41	20 May.
Mat, &c., holder	D. G. Sutherland	25906	3 May ..	45	4 June.*
Meat-cutter, cutting-plate for	T. Williams	26034	21 Dec., 1908†	59	15 July.
Merchandise, transporting	J. H. Hutchinson	25985	26 May
Metal and mineral recovery	J. V. Coleman	26140	25 June
Metal. (See Zinc.)					
Metal-depositing	A. Rosenberg	26077	16 June
Metal-extraction	C. A. Stevens.. ..	25874	27 April
Metal-extraction	H. J. Wilde	25944	10 May ..	55	1 July.*
Metal framework for furniture.. ..	T. F. Brown	25981	27 May ..	55	1 July.
Metal-preservation compound	C. F. Lungley	26084	16 June ..	59	15 July.*
Metallic shingle locking	G. H. Pedlar	25802	7 April ..	41	20 May.
Military accoutrements	J. O'Sullivan	25797	7 April ..	38	6 May.*
Milk-can	R. Carruthers	25921	8 May ..	51	17 June.
Milk-can cover	A. A. W. Cameron	25834	14 April ..	38	6 May.*
Milk cooler and aerator	M. Clayton and F. Hitchcock ..	25260	13 Mar. ..	30	8 April.*
Milking-machine	J. B. MacEwan and Co. ..	25905	7 May ..	41	20 May.*
Milking-machine	A. Storrie	25899	1 May ..	51	17 June.
Milking-machine	P. D. H. Ohlhaaver	25900	29 April
Milking-machine	P. D. H. Ohlhaaver	25901	29 April
Milking-machine pulsator	J. Blake	24488	4 June, 1908	34	22 April.
Milking-machine pulsator	T. Kidd	26145	22 June
Milking-machine, releasing milk from vacuum	C. E. Gane	24886	4 Sept., 1908	51	17 June.
Milking-machine teat-cup	J. Blake	25714	19 Mar. ..	41	20 May.
Milking-machine teat-cup	H. Droutledge	26047	7 June
Milking-machine teat-cup	W. Bassett	26072	14 June
Milking-machine tubes	Mjolkingsmaskin Aktiebolaget ..	25751	26 Mar. ..	41	20 May.
Milking-machine vacuum pump	J. Treloar	26105	19 June
Mill. (See Grit-mill.)					
Mineral-recovery	J. V. Coleman	26140	25 June ..	59	15 July.*
Mineral-saving appliance	J. Peacock	25710	11 Mar. ..	41	20 May.
Motor. (See Fluid-pressure motor, Vacuum motor, Water-motor, &c.)					
Motor-car seat, saddle, and pillar. (See Bicycle seat, saddle, and pillar.)					
Motor-car speed-alarm	R. Heaven	26109	22 June
Motor-car, &c., wheel	A. J. McCarthy and A. Cometti..	26128	24 June
Motor-crank case	W. A. Moir	25909	5 May
Motor-tire. (See Tire-cover.)					
Motor-vehicle speed-gear	J. R. Howard	25773	1 April ..	34	22 April.*
Muscle-developer	R. Blakoe	25787	6 April ..	41	20 May.
Music-teacher, mechanical	A. L. E. Crombie	25804	7 April ..	45	4 June.
Nails, casting metal heads to	J. Collins	25969	22 May ..	55	1 July.
Newspaper-carrier	Victor Automatic Carriers, Limited	25533	4 Feb. ..	41	20 May.
Non-refillable bottle	H. Forrest and W. L. Davis ..	25808	8 April ..	41	20 May.
Non-refillable bottle	L. W. Alexander and J. W. Hall ..	26102	17 June ..	59	15 July.*
Nozzle. (See Hydraulic nozzle.)					
Numbering-mechanism. (See Printing-machine, &c.)					
Oil or gas engine	A. C. Baird	25895	27 April ..	45	4 June.*
Ointment	H. Blythe and A. McLuskie ..	24387	12 May, 1908	45	4 June.
Ore-pulp separation	H. G. Nichols	24321	4 Feb., 1908	41	20 May.
Ore-stamper. (See Pneumatic stamper.)					
Oven-tile	N. McLean	26019	31 May
Paper-vessel manufacture	Mono Service Vessels, Limited ..	26113	23 June
Paring or coring machine	A. Lyell	26014	2 June
Pasteurising process, &c.	A. Jensen	25561	16 Feb. ..	45	4 June.
Patch. (See Tire-patch.)					
Paving and flooring, &c., composition ..	J. H. Amies	26018	1 June
Pedal-clip. (See Cycle-pedal clip.)					
Pencil-clip	P. Keayes	26021	4 June ..	59	15 July.*
Perambulator-shade	V. A. M. M. H. T. Plunket ..	26054	10 June ..	59	15 July.
Percussive rock-drill	S. Sutton	25827	29 April, 1908†	41	20 May.
Perpetual air-motor	H. R. R. Lohmann	26171	30 June
Persian lolly	W. F. Nightingale and G. Brown ..	25963	19 May
Phthisis-treatment	J. S. L. Ryan	26154	29 June
Picture-displaying	R. W. Ralph	25760	31 Mar. ..	38	6 May.
Pigs. (See Fence protection from pigs.)					
Pillow cover or slip	G. H. Buckeridge	25789	6 April ..	38	6 May.*
Pin. (See Hatpin.)					
Pipe-socket. (See Earthenware-pipe socket.)					
Pipe-section. (See Corrugated pipe section.)					
Pipe-stop	H. A. Mason	26055	10 June ..	59	15 July.
Planing-machine lathe-slide	J. H. Hutchinson	25777	31 Mar. ..	41	20 May.
Plaster-slab joining	G. Lewis	25855	21 April ..	45	4 June.
Plough	J. M. Dowd	24165	24 Mar., 1908	30	8 April.
Plough	A. T. Lawrence	25983	21 May ..	59	15 July.*
Plough	D. Hagarty	26126	22 June
Plough-attachment	J. Trapski	26142	28 June

ALPHABETICAL LIST OF INVENTIONS—continued.

Invention.	Name.	Application.		Gazette.	
		No.	Date.	No.	Date.
Pneumatic clock	F. Walsh	25940	12 May ..	59	15 July.
Pneumatic sole	W. L. Jolly	24500	4 June, 1908	30	8 April.
Pneumatic stamper	E. R. Royston	25794	7 April ..	41	20 May.
Pneumatic tire. (See Tire.)					
Pole-wagon, backing	J. H. Hutchinson	26017	1 June
Portland cement. (See Cement-manufacture.)					
Pot. (See Teapot.)					
Power, obtaining, from running stream..	E. G. M. Foord	25995	29 May ..	59	15 July.*
Power-transmitter	A. C. and J. King and F. Hamer	26114	23 June
Preservative tablets	G. E. Taylor	25259	13 Dec., 1907†	38	6 May.
Preserving-jar	W. J. H. Greensill	26053	10 June ..	59	15 July.*
Press. (See Baling-press, Hay-press.)					
Primary battery	W. A. F. Bleeck	26079	16 June
Printing-block. (See Relief block, &c.)					
Printing-machine, rotary	A. Parker	25961	20 May ..	55	1 July.*
Printing-machine justifying-mechanism..	Monotype Machine (Colonial Patents) Syndicate, Limited	25890	28 April ..	51	17 June.
Printing-machine numbering-mechanism	Brett Printing and Publishing Company, Limited	25733	23 Mar. ..	45	4 June.
Protractor. (See Drawing-board, &c.)					
Pulley	H. J. and E. E. Turner	25848	19 April ..	45	4 June.
Pulp-agitator	W. C. Paterson	26075	15 June
Pulsator. (See Milking-machine pulsator, Vacuum pulsator.)					
Pump. (See Hand-pump, Vacuum pump.)					
Pump-attachment for flushing-cistern ..	J. M. Taylor and H. Oakley ..	24727	25 July, 1908	55	1 July.
Puncture. (See Tire-puncture.)					
Rail-joint	G. Cowdery	25854	26 June, 1908†	45	4 June.
Rail support and fastener	G. Gates	25885	28 April
Railway and tramway rail	S. Graham	26090	15 June
Railway-buffer	J. Gilmour	25952	15 May
Railway-car, &c., lock	J. C. Tyrrell and C. P. Jensen ..	26005	1 June ..	59	15 July.*
Railway signal-apparatus	J. G. Hudson and J. W. Mardon	24686	18 July, 1908	55	1 July.
Railway collision, preventing	A. R. Angus	25884	8 May, 1908†	51	17 June.
Railway-tablet. (See Tablet, &c.)					
Rake and tedder	Massey-Harris Company, Limited	25997	28 May
Range	G. R. Hislop	25782	31 Mar. ..	38	6 May.
Range. (See Kitchen-range.)					
Razor	T. C. Durham	25873	27 April ..	45	4 June.
Razor-blade package	J. M. Walcutt	25875	27 April ..	45	4 June.
Razor-hone	S. J. Smith and G. P. Montagu..	26064	12 June ..	59	15 July.
Recording vessel's course	J. Fraser, C. Jumeaux, and S. E. Fraser	26065	12 June ..	59	15 July.*
Regulating stop-cock.. .. .	W. Beamish	25967	19 May ..	59	15 July.*
Reinforcing concrete. (See Bar for, &c.)					
Relief-block process	J. V. Price	25946	13 May ..	55	1 July.*
Rock-drill. (See Percussive rock-drill.)					
Roller bearings	E. S. Baldwin	25939	12 May ..	45	4 June.
Roofing-iron. (See Corrugated iron.)					
Root-collector	E. Fitzpatrick	25869	23 April ..	45	4 June.*
Rope-clip	G. S. Langford	25980	27 May ..	55	1 July.*
Rope-protector	W. H. Freeman	26099	19 June
Rotary kiln. (See Cement-kiln.)					
Rotary engine	W. C. Haines	26076	15 June ..	59	15 July.*
Rotary machine	M. W. Lane	26062	10 June
Rubber heel	C. W. Clayton	26139	28 June
Rubber and leather sole	B. A. Fryer	25881	23 April ..	41	20 May.*
Rubber. (See Artificial para rubber.)					
Rudder	J. P. H. Lund	25371	22 Dec., 1908	38	6 May.
Rudder	E. Smethurst	25852	20 April
Rotary printing-machine	A. Parker	25961	20 May ..	55	1 July.*
Saddle	D. Nable	26004	1 June ..	59	15 July.*
Saddle cloth, cover, &c.	D. H. Edgar	26028	2 June ..	55	1 July.*
Saddle cover, cycle-	J. J. Daily	25257	19 Nov., 1908	34	22 April.
Saddletree	H. W. Downing	25559	15 Feb. ..	45	4 June.
Salt, &c., production	J. Hodgkinson	25872	7 April ..	45	4 June.
Sand. (See Black sand, &c.)					
Sand-soap	A. A. Pinches	26168	28 June
Sanitary-pan lid	J. H. Warren	25870	24 April ..	45	4 June.*
Sash. (See Window-sash.)					
Saw. (See Cross-cut saw.)					
Saw-bench feed-gear	J. W. Brownlee	26025	4 June
Saw-mounting. (See Circular saw, &c.)					
Screen. (See Window-screen.)					
Seal. (See Lead-seal casting.)					
Searing and docking knife	G. T. and H. H. Stewart	25452	16 Jan. ..	55	1 July.
Seeder	A. Storrie and A. Storrie, Limited	25770	26 Mar. ..	38	6 May.*
Seed cleaner and separator	J. Hanna	25780	31 Mar. ..	38	6 May.*
Seed-sowing appliance	J., W. G., and J. Gordon-Jones	25752	26 Mar. ..	41	20 May.

ALPHABETICAL LIST OF INVENTIONS—continued.

Invention.	Name.	Application.		Gazette.	
		No.	Date.	No.	Date.
Service-cock box	J. W. Restler	25825	13 April
Sewing-machine. (See Welt-slitting mechanism for shoe-sewing machine, Chain-stitch machine.)					
Shade. (See Perambulator-shade.)					
Shearing-tool for corrugated iron Shears. (See Hand-shears.)	A. G. Tomkies	24642	7 July, 1908	55	1 July.
Sheep-shearing machine	T. O. Bennett	25806	8 April ..	34	22 April.*
Sheeter or bar machine	T. L. Green	25799	7 April ..	41	20 May.
Shingle. (See Metallic shingle.)					
Ship's-course recorder. (See Recording, &c.)					
Shirt-collar	C. Ryan	25785	6 April
Shirt-collar	J. D. Jensen and C. E. Holland	26036	7 June ..	59	15 July.*
Shirt-collar stiffening	J. W. M. Harrison	26080	16 June ..	59	15 July.*
Shop front	W. Hoyland	25779	2 April ..	38	6 May.*
Signal. (See Railway-signal.)					
Skin-disease. (See Ointment, &c.)					
Skiving-machine. (See Leather-skiving machine.)					
Slab. (See Building slab, Plaster slab, tile, &c.)					
Slimes, &c., separation from liquid ..	H. G. Nichols	24321	4 Feb., 1908	41	20 May.
Slip. (See Pillow-slip.)					
Slip-bodice	E. Nesbitt	25817	13 April ..	45	4 June.*
Snow-board	J. M. Taylor and H. Oakley ..	24634	8 July, 1908	38	6 May.
Snow-board	R. Beattie and G. Croxford ..	25929	11 May ..	51	17 June.*
Soap-holder	G. C. Nicholson	25704	16 Mar. ..	38	6 May.*
Soap-saver	E. Norden	26160	29 June
Socket. (See Drill-socket, Whip-socket.)					
Soldering-bolt	J. Arnaboldi	26089	15 June
Soldering-iron and brazer	W. F. and C. T. Collings	25850	21 April ..	45	4 June.*
Sole-levelling machine	United Shoe Machinery Company	25202	11 Nov., 1908	34	22 April.
Sole-levelling machine	United Shoe Machinery Company	26122	23 June
Sole-machine	United Shoe Machinery Company	24457	25 June, 1908	30	8 April.
Sole. (See Boot-sole, Pneumatic sole, Sole-machine.)					
Spark-arrester	H. H. Rawlinson	25918	16 Feb.
Speed-alarm. (Motor-car speed-alarm.)					
Sports score-indicator	H. L. Cottrell and J. Brookes ..	26015	2 June ..	59	15 July.*
Spring. (See Vehicle-spring.)					
Spring-cart	O. Bredehorst	26155	29 June
Stamp-mill	J. M. Holman, M. E. C. Holman, G. B. Nancarrow, C. V. Thomas	25846	20 April ..	45	4 June.
Stamping-machine. (See Pneumatic stamper.)					
Standard. (See Fencing, &c.)					
Staple	W. H. Hewitt	25924	10 May ..	45	4 June.*
Steam, &c., engine	A. A. Holle	26011	1 June
Steel-fibre concrete	G. McMullen, L. Dwyer, and R. P. Vincent	25911	5 May ..	59	15 July.
Steering. (See Vessel stopping and steering.)					
Sterilising-tablet. (See Antiseptic tablet.)					
Stitch-machine. (See Imitation-stitch machine.)					
Stop-pulley. (See Pulley.)					
Stop-cock. (See Regulating stop-cock, &c.)					
Strainer. (See Wire-strainer, Tea-strainer.)					
Street box for service-cocks	J. W. Restler	25825	13 April
Stretcher. (See Hammock, &c.)					
Stump-extractor. (See Log, &c.)					
Suction-gas plant. (See Gas plant, &c.)					
Sweetmeat. (See Persian lolly.)					
Swingletree	D. R. Chalmers	26041	8 June
Switch. (See Electric switch.)					
Table	T. Bracken	26167	30 June
Table-stand. (See Folding-stand.)					
Tablet system, railway	W. Clark	25796	7 April ..	41	20 May.
Tag-label printing	A. Parker, A. G. Hume, J. Routley, M. Routley, R. E. Manley, H. D. Vickery	25665	9 Mar. ..	38	6 May.
Target	E. J. Solano	25975	1 June, 1908†	51	17 June.
Target-practice-attachment to firearms	J. M. Clark (3rd)	25942	12 May ..	55	1 July.
Teapot-lid	K. Anglim	25943	12 May ..	55	1 July.*
Tea-strainer	J. S. Agnew	26031	2 June ..	59	15 July.*
Teat-cup. (See Milking-machine teat-cup.)					
Tedder. (See Rake and tedder.)					
Teeth, medicine for preventing decay of	E. Rolfe	26026	4 June ..	59	15 July.
Telegraphic transmitter	A. Macdonald	25876	27 April ..	55	1 July.
Telegraphy. (See Wireless telegraphy.)					

ALPHABETICAL LIST OF INVENTIONS—continued.

Invention.	Name.	Application.		Gazette.	
		No.	Date.	No.	Date.
Telephone sound-proof box	W. H. and J. Colwill	26083	16 June
Telephone accessory	F. Lloyd and S. Weaver	26117	23 June
Temperature-indicator. (See Baled goods, &c.)					
Temperature indicator and recorder	A. K. W. Rissel	25774	1 April	34	22 April.*
Threshing-machine feeder	J. Patchett	24508	2 June, 1908	38	6 May.
Tile. (See Oven-tile.)					
Tile or slab manufacture	J. J. Loke	25401	29 Oct., 1908†	51	17 June.
Timber-drying	Alcock and Co. Proprietary, Limited	25831	14 April	38	6 May.*
Timber-drying method and apparatus	G. A. Gamman	25999	31 May	55	1 July.*
Time-table. (See Diary, &c.)					
Tin-saving appliance	J. Peacock	25710	11 Mar.	41	20 May.
Tins, sealing-up device	A. D. Stubbs and J. Robertson..	25805	8 April	38	6 May.*
Tire	A. J. F. de Bavay	25903	4 May
Tire	M. G. C. Dodwell	26060	11 June
Tire-cover	D. L. Hollis, U. A. Forgie, F. Gascomb, J. S. Jaffray, and C. G. Tawse	25814	8 April	41	20 May.*
Tire-cover	J. Riddles and G. Metcalfe	26044	7 June
Tire-manufacture	A. W. Carpenter	26040	16 Feb.†
Tire, patch for	W. F. Mackenzie	25988	28 May	55	1 July.*
Tire, pneumatic	G. A. Bennett and J. A. Smith..	25369	22 Dec., 1908	38	6 May.
Tire-puncture discoverer	S. J. Lawrence and T. Daniel	25815	13 April	41	20 May.*
Tire-repairing apparatus	E. Clark	25856	14 Aug., 1908†	45	4 June.
Toasting-appliance	J. McCombs	25978	24 May	55	1 July.*
Tobacco-pipe valve	J. Lindsay	26033	4 June
Toe-clip	E. L. Pearse	25889	28 April	45	4 June.*
Tools, heating, electrically	O. A. Miller Treeing Machine Company	26048	9 June	55	1 July.*
Trace-fastening for whiffletree	E. R. Godward	25907	3 May	45	4 June.*
Traction-engine	T. Quinlivan	26116	23 June
Trade-coupon	T. J. Orr	25742	24 Mar.	38	6 May.*
Tram-car-destination indicator	L. J. Norton-Taylor	26143	28 June	59	15 July.*
Tram-rail cleaner	R. S. Haughton	25893	29 April	45	4 June.*
Tram-trolley-wheel guard. (See Trolley-wheel guard.)					
Tramway. (See Dust-preventer.)					
Transmitter. (See Telegraphic transmitter.)					
Transporting. (See Merchandise-transporting.)					
Trap	H. L. Mainland	25332	9 Dec., 1908	34	22 April.*
Trolley pole and head	E. F. Jones and A. G. Fell	26156	30 June
Trolley-wheel guard	E. F. Jones	25790	8 April	41	20 May.*
Trouser-drafting appliance	L. Marks	26152	29 June
Trousers-hanger	A. O. Goulet	25994	28 May
Tube-mill lining	S. S. Osborn	25839	16 April	41	20 May.*
Turnips, &c., removing, from throats of cattle	W. A. Jellyman	24602	2 July, 1908	38	6 May.
Twine. (See Binder-twine.)					
Type-setting machine	H. Knudson and H. Barta	26003	1 June
Umbrella	H. Quertier	24058	30 April, 1908	55	1 July.
Urinals, drawing off fumes from	J. Kannulnik	25211	12 Nov., 1908	51	17 June.
Utilising waste animal and other substances	T. A. Glendinning and G. A. Coles	26172	29 June
Vacuum filter	E. L. Oliver	25886	28 April	45	4 June.
Vacuum motor	G. F. Hutchinson	24730	27 July, 1908	55	1 July.
Vacuum pulsator	T. Kidd	26145	22 June
Vacuum pump	L. G. Grace and T. H. Gillman ..	25840	14 April	45	4 June.
Vacuum pump for milking-machine	J. Treloar	26105	19 June
Valve. (See Hydraulic pump valve.)					
Vamp-trimming machine	United Shoe Machinery Company	24558	25 June, 1908	30	8 April.
Variable-stroke fluid-machine	H. S. Hele-Shaw	26149	29 June
Vegetable-cutter. (See Butter-mould, &c.)					
Vehicle-brake	D. J. Whelan	25843	16 April	41	20 May.*
Vehicle-lifting jack	L. Healey	25784	5 April	38	6 May.*
Vehicle-loading	C. E. L. G. C. Larmour	26016	2 June	59	15 July.*
Vehicle-seat. (See Gig-seat.)					
Vehicle-spring	J. A. Munro and G. R. Gluyas	26051	15 ^o Oct., 1908†	59	15 July.
Vehicle-wheel	A. E. Panting, R. G. Hustwick, G. H. Scott	26058	11 June
Vehicle-wheel	L. Hardaker	24179	20 April, 1907†	55	1 July.
Venetian-blind hauling	E. J. Chilton	26094	15 ^o June †	59	15 July.*
Ventilating building	J. H. Beamish	26127	22 June
Ventilating-cowl	T. C. Hement	25775	31 Mar.	38	6 May.*
Ventilating-device	H. Fisher	25809	8 April	38	6 May.*
Ventilator	H. I. M. Ross	24454	26 May, 1908	34	22 April.
Ventilator, &c.	J. J. Blockley	25945	13 May
Vermin-excluder. (See Dust, &c., excluder for doors.)					
Vessel-closure	K. Anglim	25943	12 May	55	1 July.*
Vessel, stopping and steering	A. Greene	26057	10 June
Voting-machine	N. S. McNab	26185	3 July

ALPHABETICAL LIST OF INVENTIONS—continued.

Invention.	Name.	Application.		Gazette.	
		No.	Date.	No.	Date.
Wagon, pole, backing	J. H. Hutchinson	26017	1 June
Wall-building. (See Concrete, &c.)					
Wall. (See Concrete wall.)					
Washing and filling locomotive-boiler ..	W. White	25526	8 June, 1908†	55	1 July.
Waste leather utilising	T. A. Glendinning and G. A. Coles ..	26173	29 June
Water-closet cistern	T. P. Smith and C. J. Maclean ..	26095	18 June
Water-closet flush	J. O. Suckling, A. H. Herbert, E. Page ..	26115	23 June
Water-closet seat	R. H. Hunter-Weston	25841	19 April ..	38	6 May.*
Water-gauge-glass protector	A. H. Hale	26098	19 June
Water-heater. (See Bath-water heater.)					
Water-motor	A. Morris	26030	2 June ..	59	15 July.*
Water-motor	D. McCurdy	26180	29 June
Waterproof coat	S. Weingott	25957	20 May ..	55	1 July.*
Water-raising apparatus	M. W. Christensen, W. H. Fredric, J. W. McMillan ..	25807	8 April ..	41	20 May.
Weed-eradicator	J. McCallum	25913	6 May
Weed-root collector	E. Fitzpatrick	25869	23 April ..	45	4 June.*
Welt-slitting mechanism	United Shoe Machinery Company ..	24451	28 May, 1908	30	8 April.
Wheel. (See Vehicle-wheel, Motor-car wheel, Barrow-wheel.)					
Whip-socket fastener	W. McKenzie	26001	29 May ..	59	15 July.*
Windmill	F. H. Rutland	25867	26 April ..	45	4 June.*
Window	A. H. J. Parker	25750	27 Mar. ..	38	6 May.*
Window-locking device	T. Firth	25880	27 April ..	59	15 July.
Window. (See Anti-rattler for.)					
Window-sash	F. T. Kennedy	25868	27 April ..	41	20 May.*
Window-sash hanger	W. Henry and W. Duncan	24878	27 April ..	45	4 June.*
Window-sash, suspending and operating	A. H. J. Parker	26163	30 June
Window-screen	F. Davison	25607	26 Feb. ..	41	20 May.
Wire-cut. (See Cake-cutting machine.)					
Wireless telegraphy	Marconi's Wireless Telegraph Company, Limited ..	26097	16 June
Wire-strainer	J. A. Murchison	24951	17 Sept., 1908	30	8 April.
Wire-strainer	W. P. S. Macgregor	25822	8 April ..	38	6 May.*
Wire-strainer	P. J. Lewis	25320	9 Dec., 1908	45	4 June.
Wire-strainer	E. H. Browne	25925	11 May ..	45	4 June.*
Wire-tightener	W. J. Roebuck	26183	30 June
Wool-bale-cap securing	J. Fisher	25399	30 Dec., 1908	30	8 April.
Wool-bale, obtaining samples from. (See Bales, &c.)					
Wool scouring and drying machine	T. McDonough	25343	22 Aug., 1908†	51	17 June.
Wringer	L. F. Watkins	25768	31 Mar. ..	38	6 May.*
Zinc metallurgy	A. L. J. Queneau	26134	21 June
Zinc-oxide preparation for reduction ..	H. Pape	25830	14 April ..	59	15 July.
Zinc-separation from ores	Metals Extraction Corporation, Limited ..	25296	3 Dec., 1907†	34	22 April.

Alphabetical List of Applicants for Registration of Trade Marks.

A LPHABETICAL list of applicants for registration of trade marks for quarter ending 30th June, 1909 (including also applications lodged prior to but gazetted during such quarter).

Name.	Address.	Class.	Application.		Gazette.	
			No.	Date.	No.	Date.
Acetone Illuminating and Welding Company	..	1	8030	8 June
Agricultural and Pastoral Food Company, Limited	Wellington, N.Z. ..	2	7996	21 May ..	51	17 June.
Aitchison, Steans, and Co. ..	Christchurch, N.Z. ..	48	7988	19 May ..	45	4 June.
Aitchison, Steans, and Co. ..	Christchurch, N.Z. ..	50	7931	3 April
American Axe and Tool Company ..	Pittsburg, U.S.A. ..	12	7825	6 Feb. ..	41	20 May.
American Metal Polish Company ..	Somerville, U.S.A. ..	50	7936	6 April ..	34	22 April.
American Metal Polish Company ..	Somerville, U.S.A. ..	50	7937	6 April ..	34	22 April.
Armour and Co. ..	Chicago, U.S.A. ..	42	8021	31 May ..	51	17 June.
Arthur, R. ..	Auckland, N.Z. ..	6	7960	24 April
Arthur and Dormer. (See R. Arthur.)						
Ashton and Parsons, Limited ..	London, Eng. ..	3	8031	8 June
Baillie, J. ..	Carterton, N.Z. ..	3	7968	28 April
Bates, J. W. ..	Hastings, N.Z. ..	48	7954	19 April ..	38	6 May.
Bear, T., and Sons, Limited ..	London, Eng. ..	45	8047	17 June
Bennett, G. W. ..	Christchurch, N.Z. ..	2	8042	16 June ..	59	15 July.
Bennett, G. W. ..	Christchurch, N.Z. ..	39	8043	16 June ..	55	1 July.
Berry, H., and Co. ..	Christchurch, N.Z. ..	42	7973	8 May ..	41	20 May.
Bickerton, A. W. ..	Christchurch, N.Z. ..	20	7983	15 May ..	45	4 June.

ALPHABETICAL LIST OF APPLICANTS FOR REGISTRATION OF TRADE MARKS—continued.

Name.	Address.	Class.	Application.		Gazette.	
			No.	Date.	No.	Date.
Blumenthal, A.	Hamburg, Germany . .	43	7977, 8	12 May
Booth, W.	Melbourne, Vic. . . .	39	7958	21 April . .	55	1 July.
Bourke, D. H., and another	Hamilton, N.Z. . . .	38	8045	17 June . .	55	1 July.
Bower, S. M.	Kaitia, N.Z.	50	7975	10 May . .	45	4 June.
Bowesfield Steel Company, Limited	Stockton-on-Tees, Eng. . . .	5	8079, 80, 81	29 June . .	59	15 July.
Boyd, G. H., and another	Wanganui, N.Z. . . .	22	7987	19 May . .	55	1 July.
Boyd, J. A., and others	Petone, N.Z.	50	7963	26 April . .	38	6 May.
Brace, Windle, Blyth, and Co., Limited	Dunedin, N.Z. . . .	13, 37	8001, 2	25 May
Brennan, J. M., and another	Wanganui, N.Z. . . .	22	7987	19 May . .	55	1 July.
British-American Tobacco Company, Limited	London, Eng.	45	7952	19 April . .	38	6 May.
British Antifouling Composition and Paint Company, Limited	London, Eng.	1	8075	24 June . .	59	15 July.
British Drug Houses, Limited	London, Eng.	3	7955	20 April . .	38	6 May.
Bryant and May, Limited.	London, Eng.	47	7948	16 April . .	38	6 May.
Bryant and May, Limited.	London, Eng.	47	8056	23 June . .	55	1 July.
Callaghan, W. C., and another	Wellington, N.Z. . . .	42	7956	21 April
Cameron, J. K.	Hawera, N.Z.	43	8046	17 June . .	55	1 July.
Canada Cycle and Motor Company, Limited	Toronto, Canada	22	7991	20 May . .	59	15 July.
Carter, J. D., Limited	London, Eng.	39	8033	8 June . .	51	17 June.
Caselberg, L., and Co., Limited	Wellington, N.Z. . . .	42	7953	19 April . .	41	20 May.
Chatterton, S., and another	Ellerslie, N.Z.	2, 3	7942, 3	8 April . .	34	22 April.
Chemical Union, Limited	Ipswich, Eng.	2	7816	1 Feb. . .	45	4 June.
Clarke, E. A. H.	Christchurch, N.Z. . . .	3	8019	31 May . .	51	17 June.
Coles, G. A., and Co., Limited	Auckland, N.Z.	38	7267	9 April, 1908	38	6 May.
Commonwealth Oil Corporation, Limited	Sydney, N.S.W.	47	8036, 7	9 June . .	55	1 July.
Components, Limited	Bournbrook, Eng. . . .	22	7756	22 Dec., 1908	38	6 May.
Continental C. and G. Rubber Company Proprietary, Limited	Melbourne, Vic. . . .	40	7984	17 May . .	45	4 June.
Continental C. and G. Rubber Company Proprietary, Limited	Melbourne, Vic. . . .	49	8013	27 May . .	45	4 June.
Co-operative Tea Gardens Company. (See R. V. Webster.)						
Cowan, A., and Sons, Limited	Edinburgh, Scot., Melbourne, Vic., &c. . . .	39	8059, 60, 1, 3, 4, 5, 6, 7, 8, 9	23 June . .	55	1 July.
Cowan, A., and Sons, Limited	Edinburgh, Scot., Melbourne, Vic., &c. . . .	39	8062	23 June
Cycle and Motor Supplies, Limited	Wellington, N.Z. . . .	40	8008	25 May . .	45	4 June.
Dahl, E. A.	Wellington, N.Z. . . .	38	7946	15 April . .	38	6 May.
Davenport, H. (See J. Stanford.)						
Denison, Limited	Sydney, N.S.W.	48	7957	21 April . .	38	6 May.
Disston, H., and Sons, Incorporated	Tacony, U.S.A.	12	8058	23 June . .	55	1 July.
Dodds, G. H.	Dunedin, N.Z.	34, 38	8051, 2	18 June
Dreadnought Manufacturing Company. (See Sargent and Wilson.)						
Ellingham, E., and Co., Limited	Auckland, N.Z.	42	8039	10 June
Ellis and Manton	Wellington, N.Z. . . .	42	8003, 4, 5	25 May . .	45	4 June.
Ellis and Manton	Wellington, N.Z. . . .	42	8007	25 May . .	51	17 June.
Ellis and Manton	Wellington, N.Z. . . .	42	8006	25 May . .	55	1 July.
Ellis and Manton	Wellington, N.Z. . . .	42	8050	18 June . .	55	1 July.
Evelyn, E. S., and another	Ellerslie, N.Z.	2, 3	7942, 3	8 April . .	34	22 April.
Faire Bros., and Co., Limited	Leicester, Eng.	38	7964	27 April . .	41	20 May.
Fewell, R.	Grey Lynn, N.Z.	44	8000	25 May . .	51	17 June.
Field and Co., Fruit Merchants, Limited	London, Eng.	42	7894	18 Mar. . .	38	6 May.
Garland, T. H., and Son	Auckland, N.Z.	50	7947	16 April . .	38	6 May.
Garland, T. H., and Son	Auckland, N.Z.	42	7969	29 April . .	55	1 July.
Gibb, R.	Auckland, N.Z.	42	7971	6 May
Gollin and Co. Proprietary, Limited Gray. (See Sandell-Gray.)	Wellington, N.Z. . . .	38	7970	3 May . .	41	20 May.
Greene, Tweed, and Co.	New York, U.S.A. . . .	50	8057	23 June . .	55	1 July.
Gunn and Co.	Dunedin, N.Z.	42	7967	28 April . .	45	4 June.
Hall, M., and Co., Limited	Sheffield, Eng.	12, 14	7949, 50	16 April . .	38	6 May.
Hall, R.	Wellington, N.Z. . . .	42	7986	17 May . .	45	4 June.
Hamlin, C. A.	Auckland, N.Z.	39	7944	13 April . .	34	22 April.
Hamlin, C. A., and Co. (See C. A. Hamlin.)						
Hardie-Shaw Studios	Wellington, N.Z. . . .	39	7982	14 May
Hargreaves, W. A.	Adelaide, S.A.	5	8034	8 June . .	51	17 June.
Hawke's Bay Meat Curing Company, Limited	Hastings, N.Z.	42	8055	21 June . .	59	15 July.
Hensleigh, W.	Oamaru, N.Z.	48	8070	24 June . .	55	1 July.
Holland, J. C.	Auckland, N.Z.	8	8009	26 May . .	45	4 June.
Holland, J. L., and Sons. (See J. C. Holland.)						

ALPHABETICAL LIST OF APPLICANTS FOR REGISTRATION OF TRADE MARKS—*continued.*

Name.	Address.	Class.	Application.		Gazette.	
			No.	Date.	No.	Date.
Hooton, J. P.	Auckland, N.Z.	38	8026, 7	4 June ..	51	17 June.
Hooton, J. P.	Auckland, N.Z.	38	8028	4 June ..	55	1 July.
Horne, J., and others	Petone, N.Z.	38	7963	26 April ..	38	6 May.
Humphrey, Taylor, and Co., Limited. (See H. Taylor.)						
Hutchinson Bros., Limited	Auckland, N.Z.	42	7981	13 May
Imperial Manufacturing Company. (See R. Hall.)						
Kirkpatrick, S., and Co., Limited	Nelson, N.Z.	42	8076, 7	26 June ..	55	1 July.
Kronheimer, J., and Co.	Hamburg, Ger.	50	8029	4 June
Kunkelmann, F. T.	Reims, France	43	7249, 50	2 April, 1908	30	8 April.
Kunkelmann and Co. (See F. T. Kunkelmann.)						
Lennard, A. C.	Wanganui, N.Z.	42	7998, 9	25 May ..	51	17 June.
Lewis, G.	Napier, N.Z.	17	8048	17 June ..	55	1 July.
Loopuyt, P., and Co.	Schiedam, Holland	43	7922	31 Mar. ..	41	20 May.
Lucas, R. H., and another	Melbourne, Vic.	50	7939, 40, 41	7 April
Lyons, M. F.	Melbourne, Vic.	42	8072	24 June ..	55	1 July.
Metcalf, W. H.	Pymont, N.S.W.	1	7990	20 May ..	45	4 June.
Mitteldeutsche Gummiwaaren-Fabrik Louis Peter Actien-Gesellschaft	Frankfurt on the Main, Ger.	40	7945	13 April ..	34	22 April.
Mountain, C. F., and another	Melbourne, Vic.	50	7939, 40, 41	7 April
National Phonograph Company	Orange, U.S.A.	8	7869	8 Mar. ..	41	20 May.
Needham, Niven, and Co., Limited	Christchurch, N.Z.	25	7907	23 Mar. ..	38	6 May.
Needham, Niven, and Co., Limited	Christchurch, N.Z.	50	7932	5 April ..	38	6 May.
Newcombe, W. H.	Auckland, N.Z.	41	7980	13 May
New Way Motor Company	Lansing, U.S.A.	6	8017, 8018	29 May
Nicholson, I., and another	Auckland, N.Z.	38	8045	17 June ..	55	1 July.
Northampton Boot-factory	Auckland, N.Z.	38	8074	24 June
Nugget Polish Company, Limited	London, Eng.	37, 50	7961, 2	24 April ..	38	6 May.
Parke, Davis, and Co.	Sydney, N.S.W.	3	7795	19 Jan. ..	41	20 May.
Parker, S.	Auckland, N.Z.	5	8016	28 May ..	45	4 June.
Pearson, T. H.	Claudelands, N.Z.	42	7938	7 April ..	34	22 April.
Pearson and Knowles Coal and Iron Company, Limited	Warrington, Eng.	5	8022, 3, 4	2 June ..	51	17 June.
Peter Union Tire Company. (See Mitteldeutsche Gummiwaaren-Fabrik Louis Peter Actien-Gesellschaft.)						
Phelps, Wilson, and Co.	Wellington, N.Z.	34	7974	8 May ..	41	20 May.
Pratt, B. G., and Co.	New York, U.S.A.	2	7927	1 April
Prior, F., and another	Wellington, N.Z.	42	7956	21 April
Rattray, J., and Son, Limited	Dunedin, N.Z.	42	8038	10 June ..	55	1 July.
Reynolds, T. C.	Prahran, Vic.	42	8012	27 May
Robertson, G., and others	Petone, N.Z.	50	7963	26 April ..	38	6 May.
Rollinson, H. A.	Napier, N.Z.	38	8040	11 June ..	55	1 July.
Ross, A. L., and Co.	Christchurch, N.Z.	50	8073	24 June
Sandell-Gray Figure-trainer, Limited	London, Eng.	49	7966	27 April ..	38	6 May.
Sargent and Wilson	Christchurch, N.Z.	47	8014	28 May ..	51	17 June.
Scottock and O'Gorman	Westport, N.Z.	42	7959	22 April
Scott Manufacturing Company. (See R. H. Lucas and C. F. Mountain.)						
Sharrock, J.	Frankton Junction, N.Z.	2	8015	28 May ..	51	17 June.
Shaw. (See Hardie-Shaw.)						
Shorland, J. O.	Wellington, N.Z.	40	7993, 4	20 May
Shorland, J. O., and Co. (See J. O. Shorland.)						
Sloane, A. D.	Wellington, N.Z.	3	8010	26 May ..	55	1 July.
Solarine-Gesellschaft	Berlin, Ger.	50	8020	31 May ..	51	17 June.
Southern Cross Galvanised-iron Manu- facturing Company, Limited	Auckland, N.Z.	13	7972	6 May ..	55	1 July.
Stagpoole, S. J.	Palmerston North, N.Z.	3	7926	1 April ..	34	22 April.
Stanford, J.	Wellington, N.Z.	13	7838	17 Feb. ..	38	6 May.
Taiawhio te Tau and Company	Masterton, N.Z.	50	7995	21 May
Tailby, W.	Auckland, N.Z.	39	7989	20 May ..	45	4 June.
Taylor, H., and Co., Limited	London, Eng.	43	8044	16 June ..	55	1 July.
Thomas, C. L.	Napier, N.Z.	3	8041	15 June ..	55	1 July.
Turner, A., and Son	Wellington, N.Z.	13	7985	17 May
Union Carbide Company	New York, U.S.A.	1	8011	27 May ..	45	4 June.
Union Metallic Cartridge Company	Bridgeport, U.S.A.	20	7992	20 May ..	45	4 June.
United Shoe Machinery Company	Paterson, U.S.A.	6, 12	7800, 1	19 Jan. ..	45	4 June.
Vacuum Oil Company Proprietary, Limited	Melbourne, Vic., and Wel- lington, N.Z.	47	8082	29 June
Varley, E., and Co.	Auckland, N.Z.	42	7997	25 May

ALPHABETICAL LIST OF APPLICANTS FOR REGISTRATION OF TRADE MARKS—continued.

Name.	Address.	Class.	Application.		Gazette.	
			No.	Date.	No.	Date.
Vereinigte Köln-Rottweiler Pulverfabriken	Berlin, Ger. ..	20	7933	6 April ..	34	22 April.
Vinolia Company, Limited	London, Eng... ..	48	7979	12 May ..	45	4 June.
Vi-ro Medicine Company ..	Auckland, N.Z. ..	3	8025	4 June ..	51	17 June.
Wallace, Scott, and Co., Limited	Glasgow, Scot. ..	38	7929, 30	3 April ..	34	22 April.
Waller, A., and Co. ..	Auckland, N.Z. ..	3	8053	19 June ..	59	15 July.
Wander, A. ..	London, Eng... ..	42	8078	29 June ..	59	15 July.
Wanganui Fresh Food and Ice Company	Wanganui, N.Z. ..	42	7976	10 May
Warnock Bros. ..	Auckland, N.Z. ..	47	8054	21 June
Watson, A., and Co. ..	Newcastle-on-Tyne, Eng.	42	7612	15 Oct., 1908	38	6 May.
Webster, R. V. ..	Colombo, Ceylon ..	42	8032	8 June
Wedgwood, J., and Sons, Limited	Stoke-on-Trent, Eng. ..	16	7965	27 April
Wellington Oilskin Factory. (See E. A. Dahl.)						
West, T., and Co. ..	Dunedin, N.Z. ..	44	8071	24 June
Wheatley, A. ..	Hawera, N.Z... ..	50	8049	18 June
Whitecross Company, Limited	Warrington, Eng. ..	5	7934	6 April ..	34	22 April.
Whitecross Company, Limited	Warrington, Eng. ..	13	7935	6 April ..	34	22 April.
Whittome, Stevenson, and Co., Limited	Auckland, N.Z. ..	42	8035	9 June ..	55	1 July.
Wiggins, Teape, and Co., Limited	London, Eng... ..	39	7951	19 April ..	38	6 May.
Wright, Stephenson, and Co., Limited	Dunedin, &c., N.Z. ..	42	8083	29 June ..	59	15 July.

Alphabetical List of Applicants for Registration of Designs.

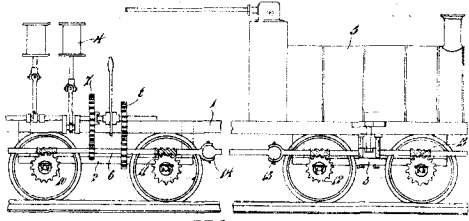
A LPHABETICAL list of applicants for registration of designs for the quarter ending 30th June, 1909 :—

†Denotes an application under the international and intercolonial arrangements.

Name.	Address.	Class.	Application.		Gazette.	
			No.	Date.	No.	Date.
Auckland Girls' Grammar School	Auckland, N.Z. ..	13	477, 8	29 April ..	38	6 May.
Carrara Ceiling Company, Limited	Wellington, N.Z. ..	3	472	5 April ..	34	22 April.
Hunter, J. T. ..	Wellington, N.Z. ..	1	484	10 June ..	51	17 June.
Parkinson, A. ..	Auckland, N.Z. ..	3	473, 4, 5	13 April ..	34	22 April.
Renner, J. R. ..	Wellington, N.Z. ..	3	476	29 April ..	38	6 May.
Scammell, W. J. ..	Wellington, N.Z. ..	2	479	14 May ..	41	20 May.
Solano, E. J. ..	London, Eng... ..	5	480	5 Oct., 1908†	51	17 June.
Solano, E. J. ..	London, Eng... ..	5	481	24 Oct., 1908†	51	17 June.
Solano, E. J. ..	London, Eng... ..	5	482	16 Oct., 1908†	51	17 June.
Solano, E. J. ..	London, Eng... ..	5	483	27 Oct., 1908†	51	17 June.
Sterling Electroplating Company. (See W. J. Scammell.)						
Trethewey, S. ..	Ruapuna, N.Z. ..	1	485	11 Jan. ..	55	1 July.

ILLUSTRATIONS OF INVENTIONS.

[These illustrations refer to the complete specifications accepted, and advertised in this *Gazette*.]



24579 Shepherd and Cederman. Engine-driving Gear.

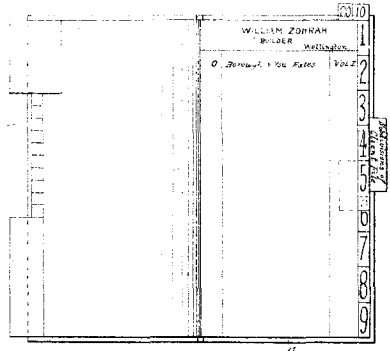
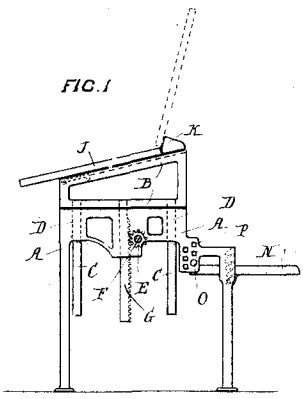
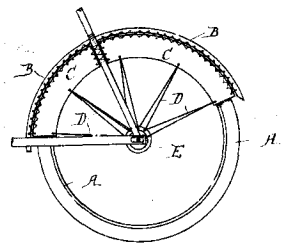


FIG. 3.



24625 Riddell. Desk.



24785 Perry. Cycle-mudguard.

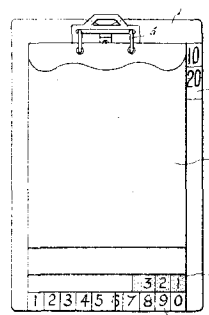


FIG. 4.

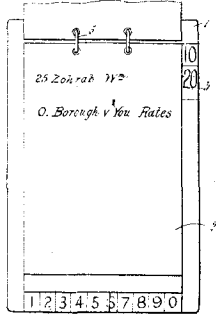
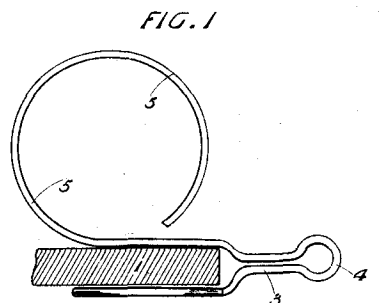
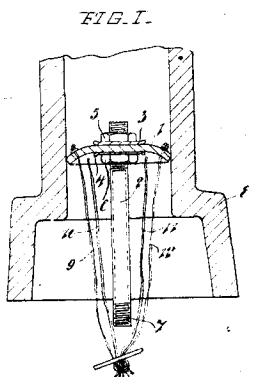
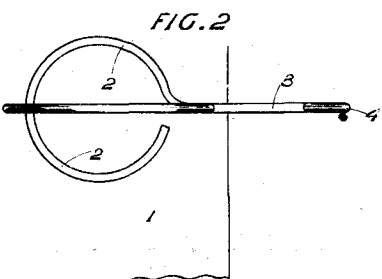


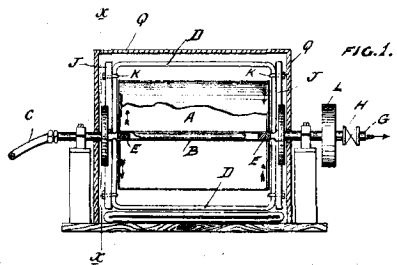
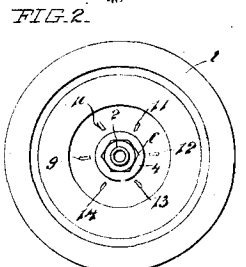
FIG. 5.



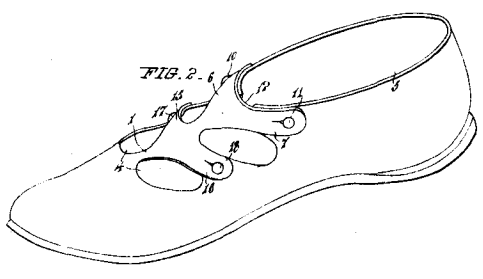
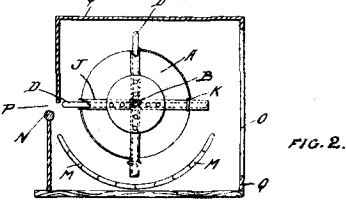
24771 Gough. Book-support.



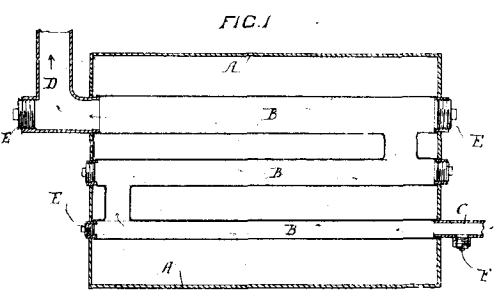
26055 Mason. Pipe-stop.



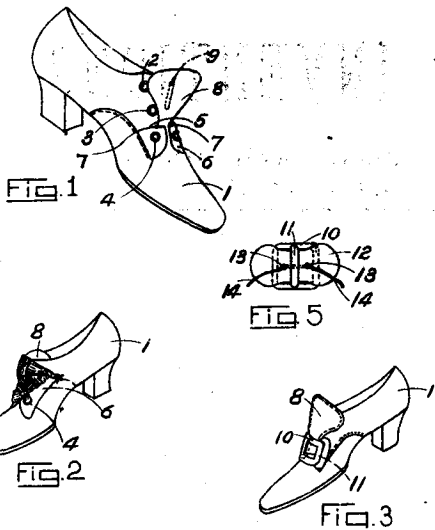
26046 Walker. Fibre-scutch.



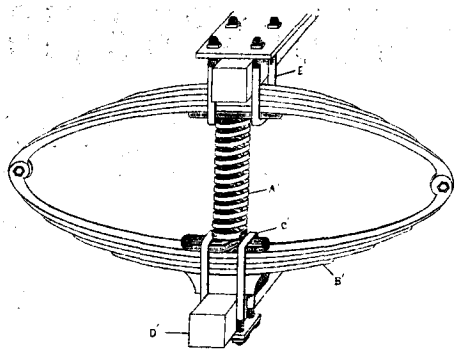
24837 Kent. Shoette-upper.



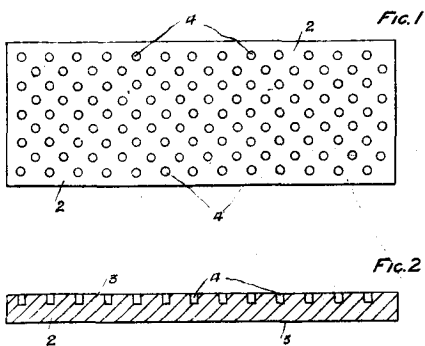
24860 P. A. and C. W. Le Marquand. Exhaust-liquid Heater.



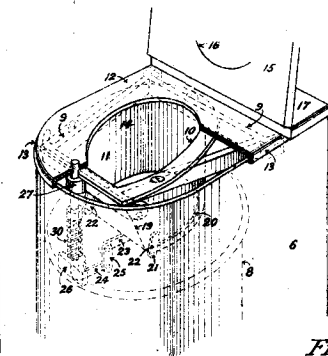
24775 H. Bostock. Boot. (E. Bostock.)



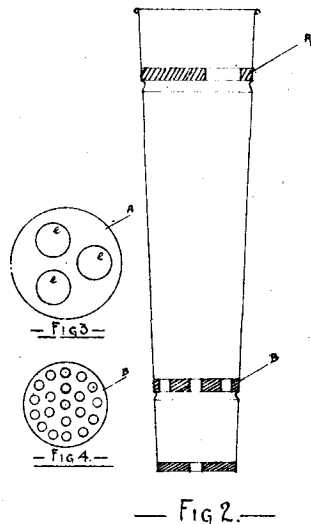
26051 Munro and Gluyas. Vehicle-spring.



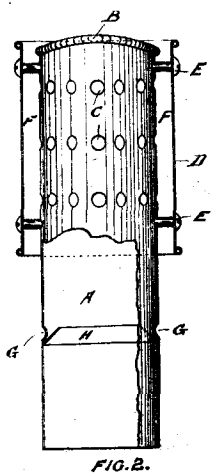
26064 Smith and Montagu. Razor-hone.



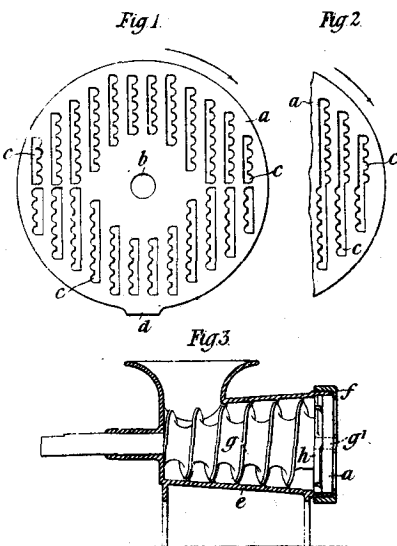
25935 Ephraim. Earth Closet.



24839 Downey. Umbrella-holder.



25094 Nelson. Larap-ventilator.



26084 Williams. Meat-cutter.

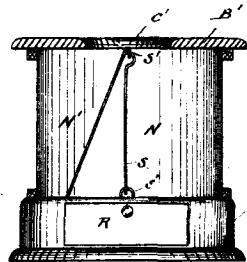


FIG. 1.

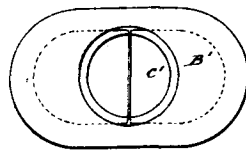
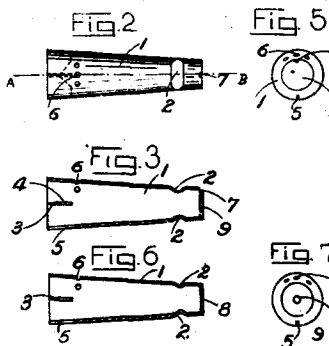
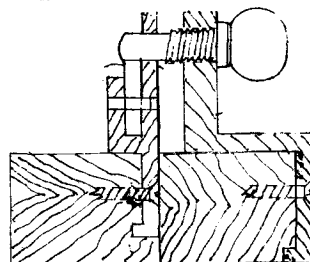


FIG. 2.

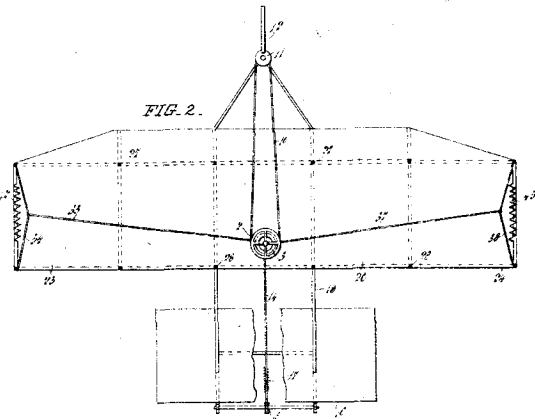
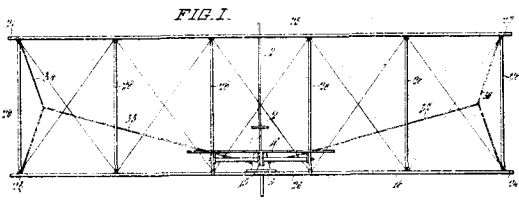
25996 Baird. Earth Closet.



26067 Beamish. Cigar-mouthpiece.



25880 Firth. Window-lock.



21898 Barton. Aeroplane.

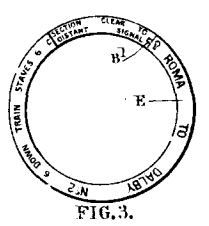


FIG. 3.

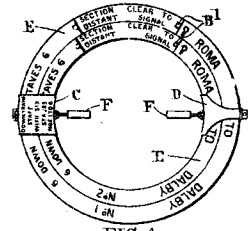


FIG. 4.

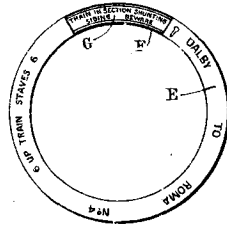


FIG. 8.

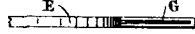


FIG. 9.

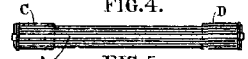


FIG. 5.

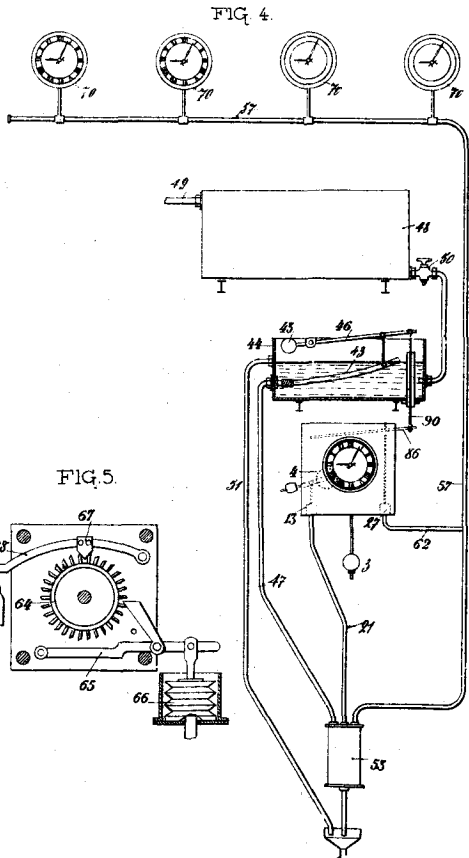


FIG. 6.

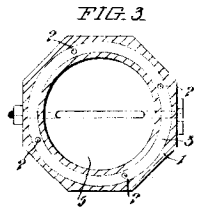


FIG. 7.

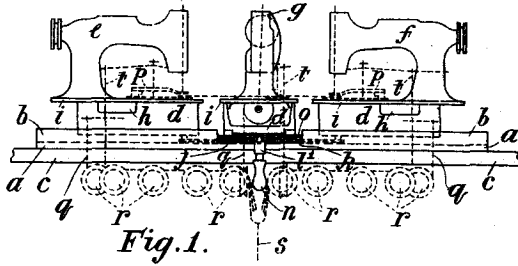
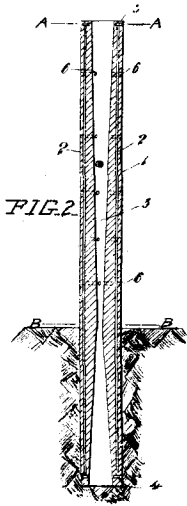
21821 McGeever. Staff-working of Railways, &c.



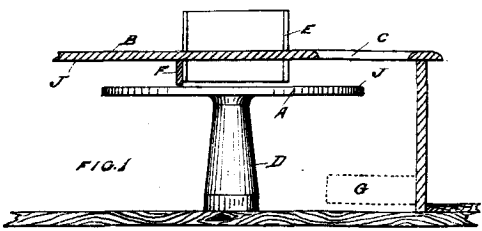
25940 Walsh. Clock. (Poetto.)



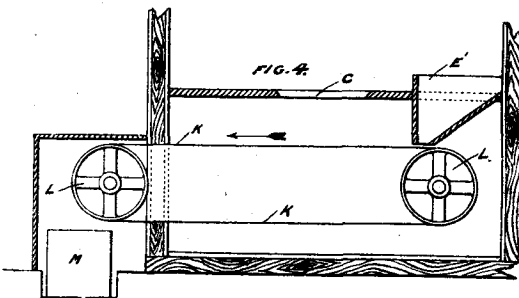
24956 French. Gate-post.

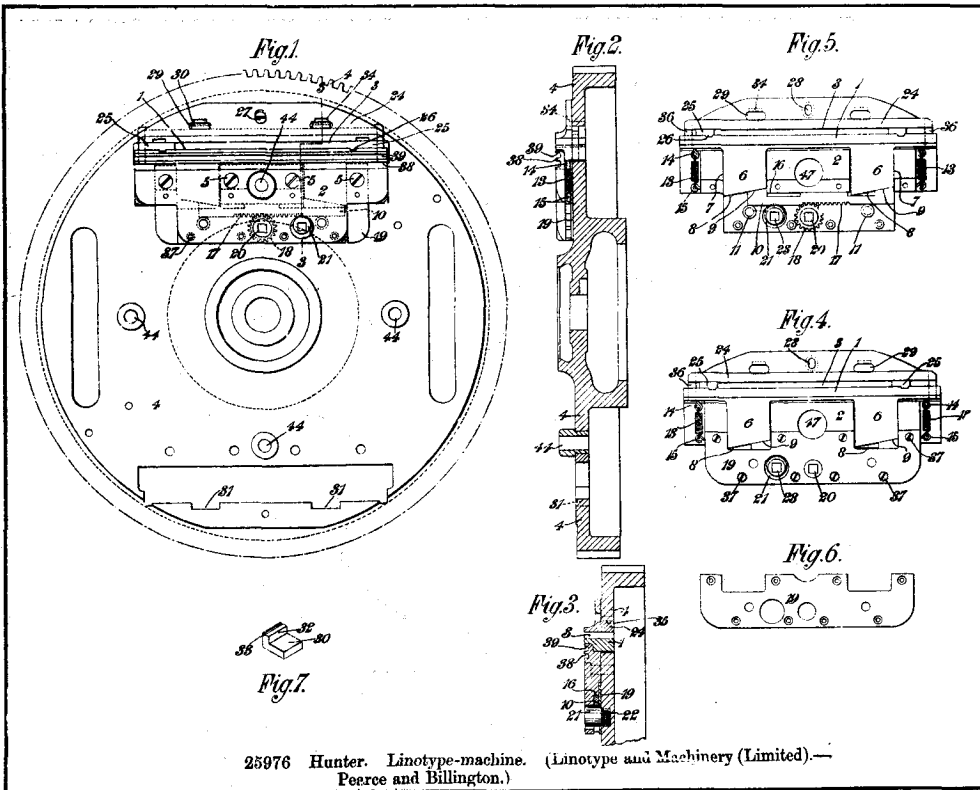


25958 Tillie. Buttonhole-machine.



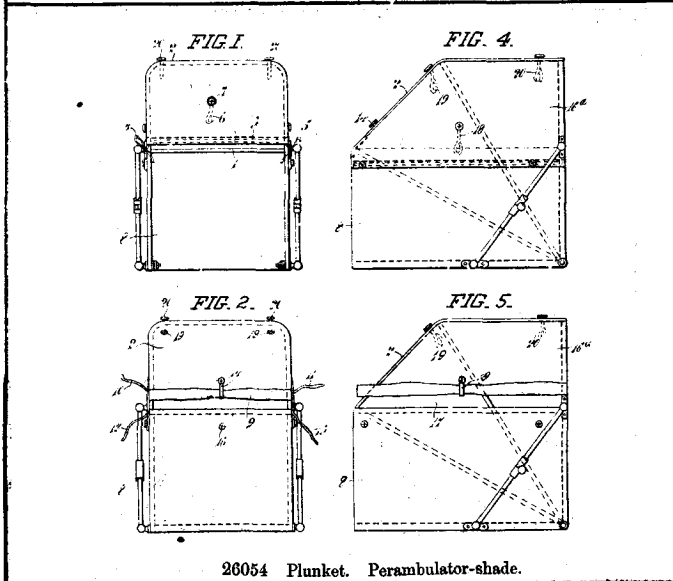
25044 Baird. Closet.



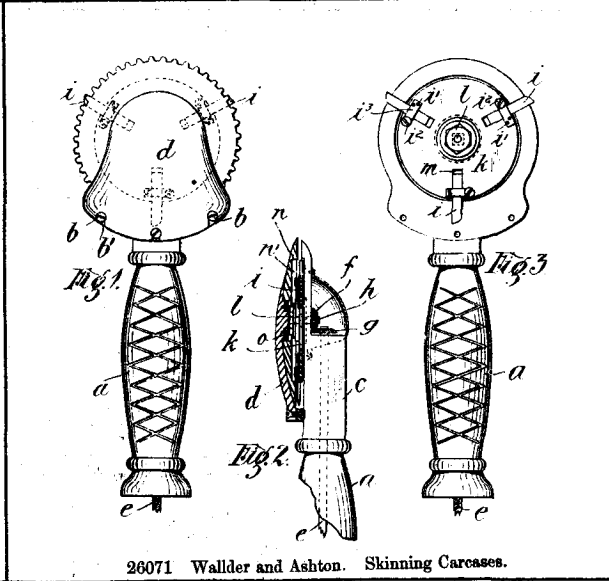


25976 Hunter. Linotype-machine. (Linotype and Machinery (Limited).—Pearce and Billington.)

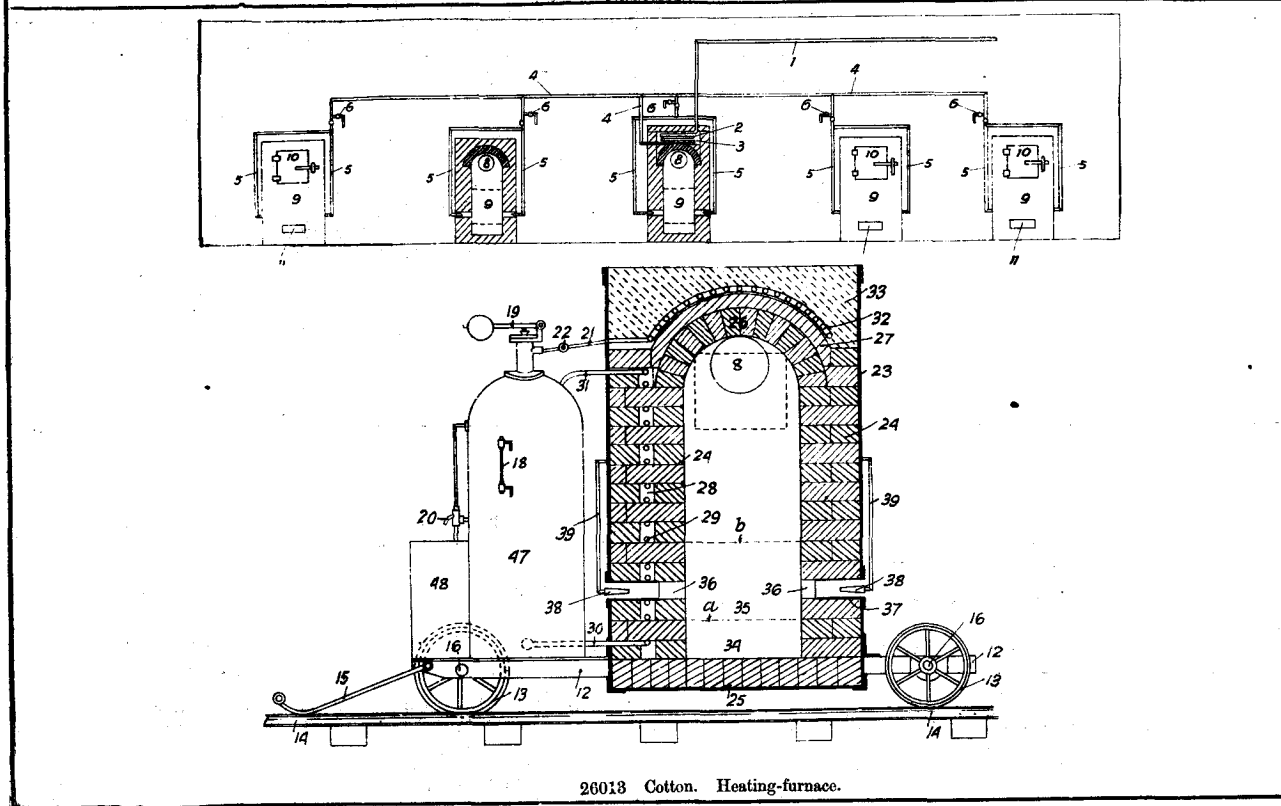
25986 Von Lepel. Producing Electric Oscillations.



26054 Plunket. Perambulator-shade.



26071 Walder and Ashton. Skinning Carcasses.



26013 Cotton. Heating-furnace.